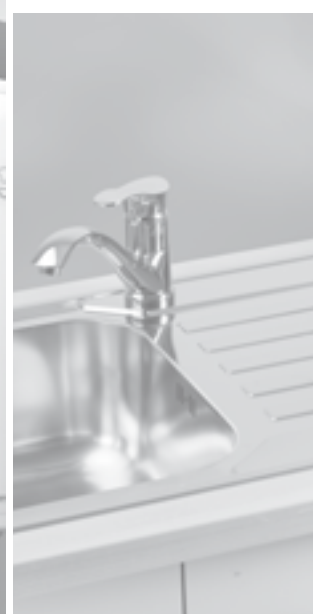
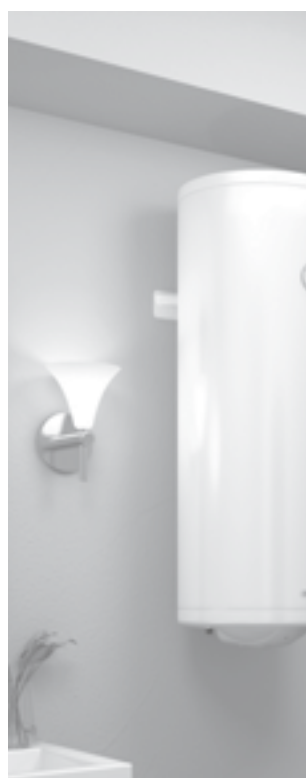


KATALOG

proizvoda za kuhinje i kupatila

CATALOGUE

kitchen and bathroom products



metalac
AD

SADRŽAJ / CONTENT:

Metalac grupa / Metalac Group	2
Metalac inko / Metalac Inko	4
Inox sudopere / Stainless Steel Sinks	6
Luna.....	8
Luna Flex.....	10
Quadro.....	12
Venera.....	14
Onyx.....	16
Nera.....	18
Quadro Artinox.....	20
Standard.....	22
XGranit sudopere / XGranit Sinks	24
XVenera.....	26
XVenera M.....	28
XVenera Plus.....	30
XElipse.....	32
XQuadro 40.....	34
XQuadro 60.....	36
XQuadro M.....	38
XQuadro Plus.....	40
XQuadro Plus 1.5D.....	42
Aquabi slavine za XGranit sudopere / Aquabi faucets for XGranit sinks	44
Sifoni / Syphons	46
Granmatrix / Granmatrix	48
Primena Granmatrix-a / Application of Granmatrix.....	50
Boje / Colours.....	66
Granmatrix kupatilski nameštaj / Granmatrix Bathroom Furniture	68
Ambiente 120.....	70
Ambiente 90.....	72
Ambiente 60.....	74
Modeli umivaonika / Models of Washbasins.....	76
Metalac bojler / Metalac Bojler	80
Bojleri srednjih litraža / Storage Water Heaters	86
MB Slim / MB Slim.....	89
MB Standard / MB Standard.....	90
MB Praktik / MB Practic.....	92
MB Kombinovani / MB Comby.....	94
MB Horizontalni / MB Horizontal.....	96
Klasa.....	97
Bojleri velikih litraža / Large Capacity Water Heaters	100
Malolitražni bojleri / Small Capacity Water Heaters	104
MB Mini.....	106
Hidroforske posude / Hydrophore Tanks	108
Slavine Aquabi / Aquabi Faucets	110

Kompanija Metalac a.d. je javno akcionarsko društvo sa 14 zavisnih društava: pet proizvodnih, pet trgovinskih na domaćem i četiri trgovinska društva u inostranstvu – u Rusiji, Ukrajini, Hrvatskoj i Crnoj Gori.

Od osnivanja 1959. godine sedište kompanije je u Gornjem Milanovcu, gde se nalaze i sva proizvodna društva. Iako je pre svega prepoznatljiv po posuđu,

kao jedan od najvećih i najuspešnijih proizvođača u Evropi, Metalac je tokom godina proširio svoj proizvodni program, koji danas obuhvata i bojlere, inox i granitne sudopere, Granmatrix kompozitni materijal, kartonsku ambalažu i preslikače za posuđe.

Septembra 2015. godine Metalac je postao većinski vlasnik preduzeća za proizvodnju automo-

bilskih delova FAD, najvećeg proizvođača delova za upravljanje i oslanjanje motornih vozila na prostoru bivše Jugoslavije.

Metalac izvozi svoje proizvode, pre svega posuđe, u preko 25 zemalja sveta, i to u tržišta u okruženju, zemlje Evropske unije, Rusiju, Ukrajinu... sve do SAD-a, Japana i Australije.

Metalac a.d. je integrisao sisteme upravljanja kvalitetom i zaštitom životne sredine što potvrđuju TÜV sertifikati ISO 9001 i ISO 14001. Sertifikate QMS/EMS imaju i sva proizvodna preduzeća koja posluju u okviru Metalac grupe. Kompanija je izuzetno posvećena svim aspektima održivog razvoja.

U kompaniji je zaposleno oko 2.000 ljudi.



Metalac company was founded in 1959 in Gornji Milanovac. Today, Metalac is an open joint-stock company with 14 companies – five production, five trading companies in the domestic market and four abroad – in Russia, Ukraine, Croatia and Montenegro.

Although primarily known for cookware, as one of the largest and most successful manufacturers in

Europe, Metalac has over the years expanded its product range, which now includes water heaters, stainless steel and granite sinks, Granmatrix composite materials, cardboard boxes and decals for pottery.

In September 2015 Metalac became the owner of "FAD", the company that produces automobile parts. FAD is the largest producer of parts for steer-

ing and suspension of vehicles on the territory of ex Yugoslavia.

Metalac exports its products (primarily cookware) to over 25 countries worldwide, mainly in the surrounding markets, countries of the European Union, Russia, Ukraine... all the way to U.S.A, Australia and Japan.

Metalac has integrated the ISO quality management and environmental management systems, as evidenced by TÜV ISO 9001 and ISO 14001 certificates. QMS/EMS certificates have all the production companies within the Metalac group. The company is very dedicated to all aspects of sustainable development.

Metalac employs around 2,000 people.

Metalac inko je zavisno preduzeće u okviru Metalac grupe iz Gornjeg Milanovca. Osnovano je 1995. godine, kada počinje proizvodnja sudopera od nerđajućeg čelika.

Metalac inko je jedini proizvođač sudopera u Srbiji i okruženju. U inox programu u ponudi imamo više od trideset modela usadnih, nasadnih i podgradnih sudopera. U 2008. godini uveli smo i proizvodnju Granmatrix solid surface ploča, sudopera i umivaonika za najširu primenu u opremanju enterijera i eksterijera, a krajem 2010. godine proizvodni program u delu kompozita proširen je potpuno novim programom sudopera pod nazivom XGranit, izrađenih od najkvalitetnijih materijala evropskih proizvođača.

Naš asortiman namenjen je velikim specijalizovanim proizvođačima kuhinjskog nameštaja i firmama koje se bave enterijerom.

U skladu sa politikom, zahtevima i rejtingom kompanije Metalac, razvili smo kvalitetan proizvod i visok nivo poslovnosti. Pored tržišta Srbije, prisutni smo i na tržištima zemalja potpisnica CEFTA sporazuma, na tržištu EU, kao i u Ukrajini.

Metalac Inko Ltd is a subsidiary of the Metalac Group from Gornji Milanovac. It was founded in 1995, by starting the production of stainless steel sinks.

Metalac Inko is the only sink producer in Serbia and surrounding markets. The offer of stainless steel sinks includes over thirty models: top-mounted, inset and undermount. In 2008 we started production of Granmatrix solid surface sheets, sinks, washbasins for various purposes, interior and exterior design. By the end of 2010, new product range, named XGranit, was introduced – sinks made of top quality composite materials from well-known European suppliers.

Our offer is meant to meet the needs of specialized producers of kitchen furniture and interior designing. Following the policy, professionalism and rating of the Metalac company, we have developed a state of the art quality products. Beside Serbian market we have penetrated the CEFTA and EU markets, as well as Ukraine.



METALAC INKO

KATALOG PROIZVODA / PRODUCT CATALOGUE

- Inox sudopere / Stainless Steel Sinks : **01**
- XGranit sudopere / XGranit Sinks : **02**
- Aquabi slavine za XGranit sudopere / Aquabi faucets for XGranit sinks : **03**
- Granmatrix kompozitni materijal / Granmatrix Composite Material : **04**
- Granmatrix kupatilski nameštaj / Granmatrix Bathroom Furniture : **05**



INOX SUDOPERE / STAINLESS STEEL SINKS

Način ugradnje / Type of Installation



1. NASADNE SUDOPERE

Ugrađuju se kao gornji deo kuhinjskog ormarića, odnosno čitavom površinom pokrivaju kuhinjski ormarić.



2. USADNE SUDOPERE

Montiraju se u unapred pripremljen otvor, tako da okvir sudopere leži na površini radne ploče.



3. PODGRADNE SUDOPERE

Montiraju se sa donje strane radne ploče.

1. TOP-MOUNTED SINKS

Top-mounted sinks are installed as a top finishing element of a kitchen cabinet.

2. INSET SINKS

Inset sinks are inserted into a kitchen top and make integral part of the surface. The sink is inserted into the appropriate sized hole from above and fastened with clamps delivered with the sink.

3. UNDERMOUNT SINKS

Undermount sinks are installed from below and its rim is covered by the edges of the kitchen top plate, made of natural stone or composite material. Use and care of this seamless construction is easy, even with high hygiene requirements.

Karakteristike / Characteristics

Metalac Inko za izradu sudopera koristi visokokvalitetne nerđajuće čelike, najpoznatijih svetskih proizvođača, koji obezbeđuju veoma povoljna svojstva:

- otpornost na rđu i pojavu fleka
- otpornost na kiseline
- jednostavno održavanje
- potpuna otpornost na visoke temperature
- higijenska ispravnost i pogodnost za pripremu hrane
- uvek moderan dizajn

Metalac Inko Ltd produces sinks from top quality stainless steel, supplied by world proven companies, ensuring good performances and characteristics of the product:

- rust and stain resistant
- acid resistant
- easy use and care
- total resistance to high temperatures
- hygienic and good for food contact
- modern design

Površine / Surfaces



Inox sudopere izrađujemo u varijantama poliranog, reljefnog i mat finiša.

Stainless steel sinks are made in mirror polished, leinen and satin surface.





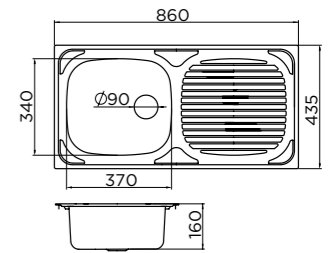
Luna 1D



Dimenzije / Dimensions **860x435 mm**
 Dubina korita / Bowl depth **160 mm**
 Mera ormarića / Cabinet dimensions **450 mm**
 Otvor sifona / Syphon hole **Ø 90 mm**

polirana
polished

reljefna
leinen



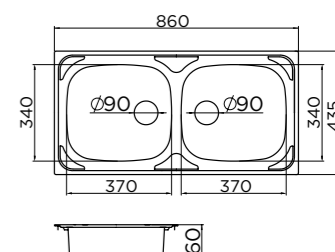
Luna 2D



Dimenzije / Dimensions **860x435 mm**
 Dubina korita / Bowl depth **160 mm**
 Mera ormarića / Cabinet dimensions **900 mm**
 Otvor sifona / Syphon hole **Ø 90 mm**

polirana
polished

reljefna
leinen



Luna 1.5D

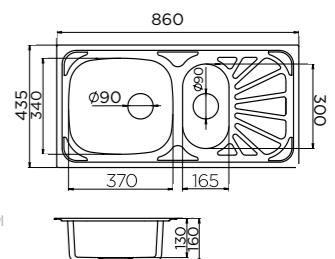


Dimenzije / Dimensions **860x435 mm**
 Dubina korita / Bowl depth **160/130 mm**
 Mera ormarića / Cabinet dimensions **600 mm**
 Otvor sifona / Syphon hole **Ø 90 mm**

Dodatak uz sudoperu / Accessories

polirana
polished

pom.korito
plastic bowl



LUNA FLEX

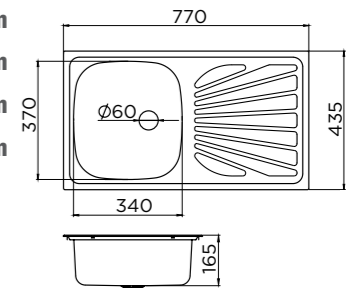
Usadne sudopere / Inset Sinks



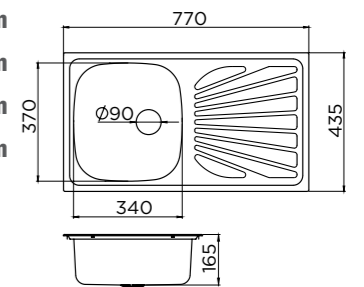
Luna FLEX 1D



Dimenzije / Dimensions **770x435 mm**
 Dubina korita / Bowl depth **165 mm**
 Mera ormarića / Cabinet dimensions **450 mm**
 Otvor sifona / Syphon hole **Ø 60 mm**



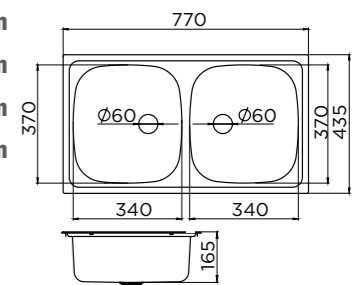
Dimenzije / Dimensions **770x435 mm**
 Dubina korita / Bowl depth **165 mm**
 Mera ormarića / Cabinet dimensions **450 mm**
 Otvor sifona / Syphon hole **Ø 90 mm**



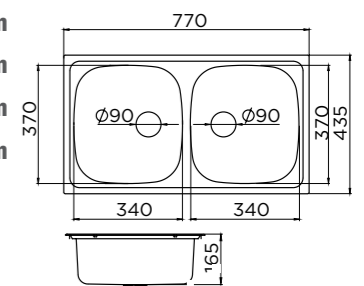
Luna FLEX 2D



Dimenzije / Dimensions **770x435 mm**
 Dubina korita / Bowl depth **165 mm**
 Mera ormarića / Cabinet dimensions **800 mm**
 Otvor sifona / Syphon hole **Ø 60 mm**



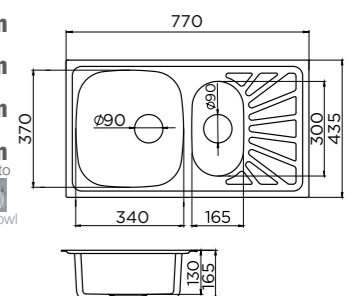
Dimenzije / Dimensions **770x435 mm**
 Dubina korita / Bowl depth **165 mm**
 Mera ormarića / Cabinet dimensions **800 mm**
 Otvor sifona / Syphon hole **Ø 90 mm**



Luna FLEX 1.5D



Dimenzije / Dimensions **770x435 mm**
 Dubina korita / Bowl depth **165/130 mm**
 Mera ormarića / Cabinet dimensions **600 mm**
 Otvor sifona / Syphon hole **Ø 90 mm**



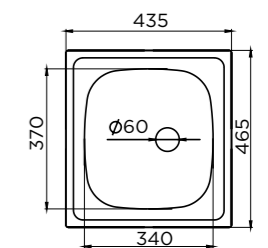


Quadro



Dimenzije / Dimensions **465x435 mm**
 Dubina korita / Bowl depth **155 mm**
 Mera ormarića / Cabinet dimensions **450 mm**
 Otvor sifona / Syphon hole **Ø 60 mm**

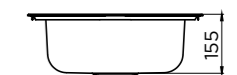
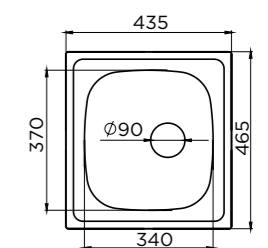
mat finiš
 satin



Dimenzije / Dimensions **465x435 mm**
 Dubina korita / Bowl depth **155 mm**
 Mera ormarića / Cabinet dimensions **450 mm**
 Otvor sifona / Syphon hole **Ø 90 mm**

mat finiš
 satin

reljefna
 leinen



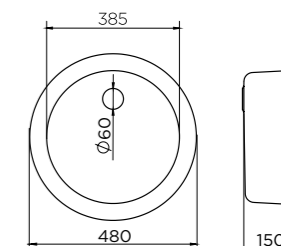


Venera 480C



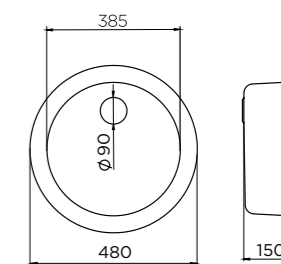
Dimenzije / Dimensions **Ø 480 mm**
 Dubina korita / Bowl depth **150 mm**
 Mera ormarića / Cabinet dimensions **450 mm**
 Otvor sifona / Syphon hole **Ø 60 mm**

mat finiš
 satin



Dimenzije / Dimensions **Ø 480 mm**
 Dubina korita / Bowl depth **150 mm**
 Mera ormarića / Cabinet dimensions **450 mm**
 Otvor sifona / Syphon hole **Ø 90 mm**

mat finiš
 satin

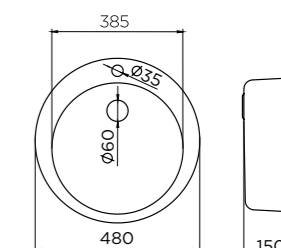


Venera 480E



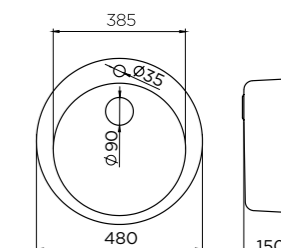
Dimenzije / Dimensions **Ø 480 mm**
 Dubina korita / Bowl depth **150 mm**
 Mera ormarića / Cabinet dimensions **450 mm**
 Otvor sifona / Syphon hole **Ø 60 mm**
 Opcija / Option **bez otvora**

mat finiš
 satin



Dimenzije / Dimensions **Ø 480 mm**
 Dubina korita / Bowl depth **150 mm**
 Mera ormarića / Cabinet dimensions **450 mm**
 Otvor sifona / Syphon hole **Ø 90 mm**

mat finiš
 satin



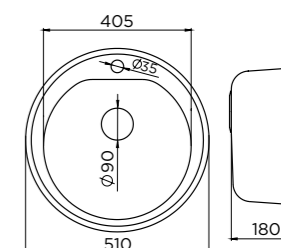
Venera 510E



Dimenzije / Dimensions **Ø 510 mm**
 Dubina korita / Bowl depth **180 mm**
 Mera ormarića / Cabinet dimensions **450 mm**
 Otvor sifona / Syphon hole **Ø 90 mm**

mat finiš
 satin

reljefna
 leinen





Površina od kaljenog stakla / Tempered glass surface

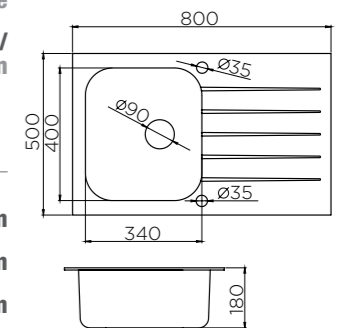
ONYX



Dimenzije / Dimensions **800x500 mm**
 Dubina korita / Bowl depth **180 mm**
 Mera ormarića / Cabinet dimensions **450 mm**
 Otvor sifona / Syphon hole **Ø 90 mm**
 Boja / Colour **bela / white**
 Dodatak uz sudoperu / Accessories **pop-up sifon / pop-up syphon**



Dimenzije / Dimensions **800x500 mm**
 Dubina korita / Bowl depth **180 mm**
 Mera ormarića / Cabinet dimensions **450 mm**
 Otvor sifona / Syphon hole **Ø 90 mm**
 Boja / Colour **crna / black**
 Dodatak uz sudoperu / Accessories **pop-up sifon / pop-up syphon**



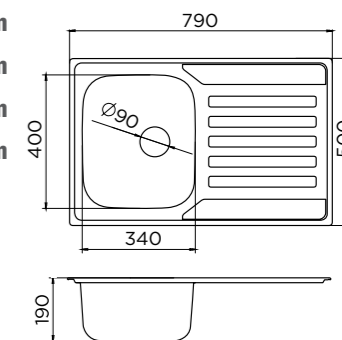


Nera



Dimenzije / Dimensions **790x500 mm**
 Dubina korita / Bowl depth **190 mm**
 Mera ormarića / Cabinet dimensions **450 mm**
 Otvor sifona / Syphon hole **Ø 90 mm**

polirana
 polished



QUADRO ARTINOX


Podgradne-usadne sudopere / Undermount-Inset Sinks

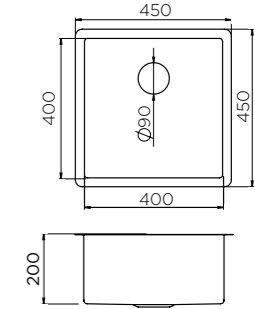


Quadro ARTINOX 400



Dimenzije / Dimensions **450x450 mm**
 Dubina korita / Bowl depth **200 mm**
 Mera ormarića / Cabinet dimensions **500 mm**
 Otvor sifona / Syphon hole **Ø 90 mm**
 Dodatak uz sudoperu / Accessories **sifon / syphon**


 polirana / polished

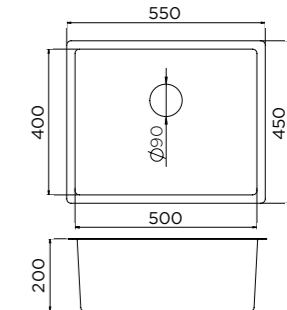


Quadro ARTINOX 500



Dimenzije / Dimensions **550x450 mm**
 Dubina korita / Bowl depth **200 mm**
 Mera ormarića / Cabinet dimensions **600 mm**
 Otvor sifona / Syphon hole **Ø 90 mm**
 Dodatak uz sudoperu / Accessories **sifon / syphon**


 polirana / polished

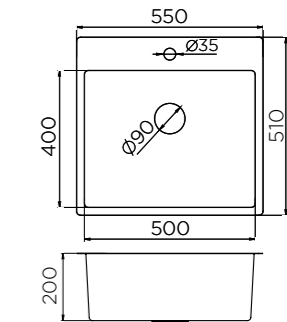


Quadro ARTINOX 500 B



Dimenzije / Dimensions **550x510 mm**
 Dubina korita / Bowl depth **200 mm**
 Mera ormarića / Cabinet dimensions **600 mm**
 Otvor sifona / Syphon hole **Ø 90 mm**
 Dodatak uz sudoperu / Accessories **sifon / syphon**

 polirana / polished

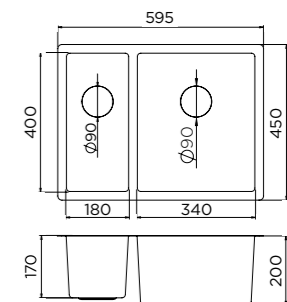


Quadro ARTINOX 340.180



Dimenzije / Dimensions **595x450 mm**
 Dubina korita / Bowl depth **200 / 170 mm**
 Mera ormarića / Cabinet dimensions **800 mm**
 Otvor sifona / Syphon hole **Ø 90 mm**
 Dodatak uz sudoperu / Accessories **sifon / syphon**

 polirana / polished

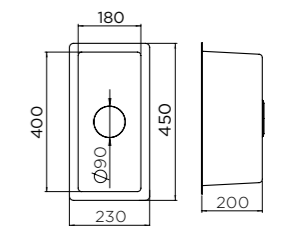


Quadro ARTINOX 180



Dimenzije / Dimensions **230x450 mm**
 Dubina korita / Bowl depth **200 mm**
 Mera ormarića / Cabinet dimensions **400 mm**
 Otvor sifona / Syphon hole **Ø 90 mm**
 Dodatak uz sudoperu / Accessories **sifon / syphon**

 polirana / polished



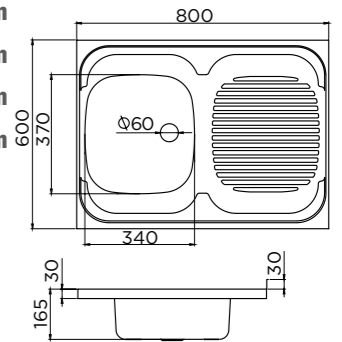


Standard L



Dimenzije / Dimensions **800x600 mm**
 Dubina korita / Bowl depth **165 mm**
 Mera ormarića / Cabinet dimensions **800 mm**
 Otvor sifona / Syphon hole **Ø 60 mm**

polirana
polished

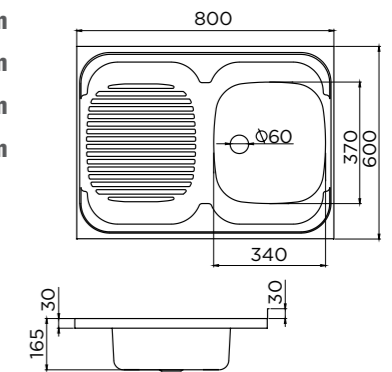


Standard D



Dimenzije / Dimensions **800x600 mm**
 Dubina korita / Bowl depth **165 mm**
 Mera ormarića / Cabinet dimensions **800 mm**
 Otvor sifona / Syphon hole **Ø 60 mm**

polirana
polished

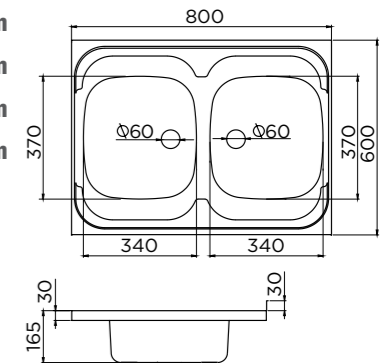


Standard 2D



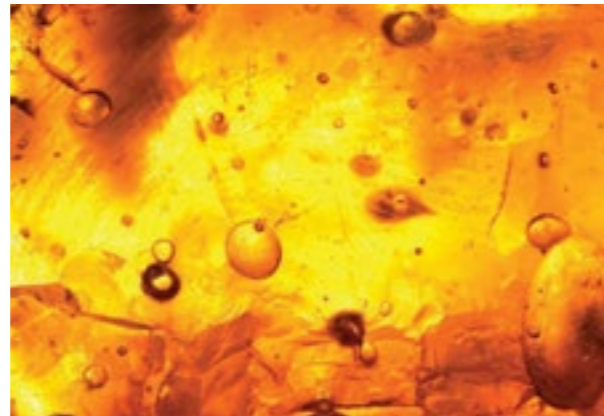
Dimenzije / Dimensions **800x600 mm**
 Dubina korita / Bowl depth **165 mm**
 Mera ormarića / Cabinet dimensions **800 mm**
 Otvor sifona / Syphon hole **Ø 60 mm**

polirana
polished



XGRANIT SUDOPERE / XGRANIT SINKS

Materijal / Materials



Sudopere XGranit izrađuju se od kompozitnog materijala, čiji je glavni sastojak kvarc – najtvrdi element granita, zbog čega su ove sudopere poznate i kao „granitne sudopere“. Prirodni materijal kvarc, koji čini 80% sastava XGranit sudopere, u kontrolisanim uslovima meša se sa odgovarajućom smolom, najvišeg kvaliteta. Krajnji proizvod je materijal izuzetne čvrstoće i otpornosti, koji odaje utisak prirodnog kamena.

XGranit sinks are made of composite material which main component is quartz – the hardest element of granite, therefore these sinks are also known as "granite sinks". Quartz, natural material which makes 80% of the XGranit sink, is mixed with high quality resins in controlled production process. The final product has exceptional hardness and resistance with the effect of a natural stone.

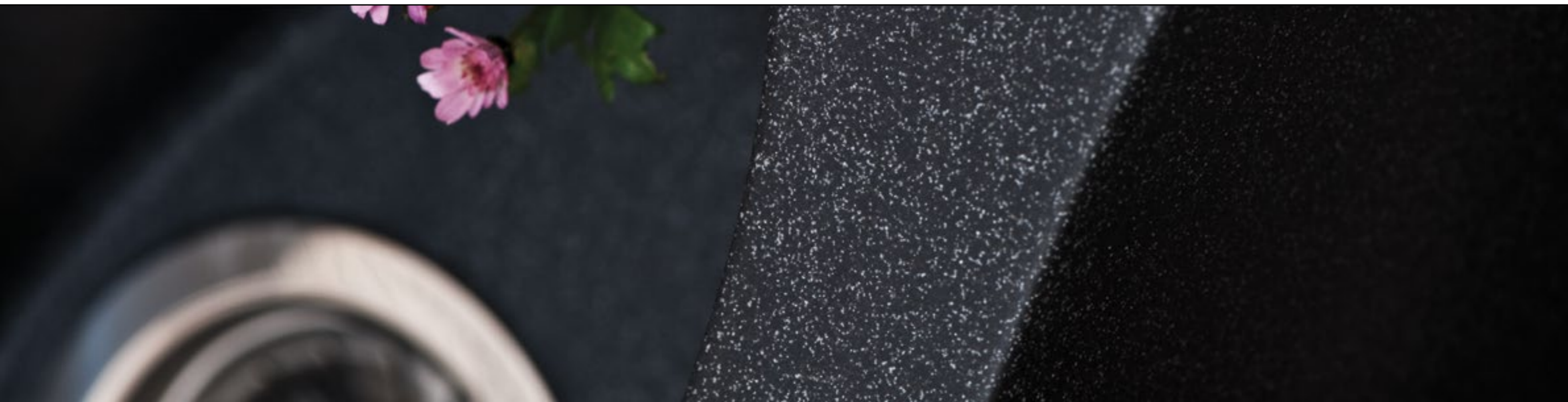
Karakteristike / Characteristics

- jednostavno održavanje
- izuzetna trajnost
- izgled prirodnog kamena
- otpornost na grebanje
- izuzetna čvrstina i otpornost na lomljenje
- otpornost na temperature do 280 °C
- higijenska ispravnost i pogodnost za upotrebu hrane
- otpornost na kiseline
- boja sudopere ne bledi i otporna je na sunčeve zrake
- easy use and care
- long lasting
- natural stone look
- scratch resistant
- exceptional hardness and resistance to breakage
- resistant to temperatures up to 280 °C
- hygienic and good for food contact
- acid resistant
- colours are UV stable and do not fade

Boje / Colours

XGranit sudopere izrađuju se u više oblika i boja, tako da se savršeno uklapaju u svaki enterijer.

XGranit sinks are offered in various shapes and colours which could fit any space.

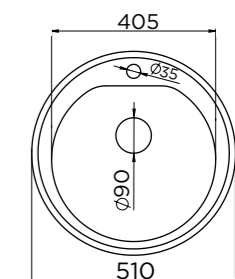




XVenera



Dimenzije / Dimensions **Ø 510 mm**
 Dubina korita / Bowl depth **180 mm**
 Mera ormarića / Cabinet dimensions **500 mm**
 Otvor sifona / Syphon hole **Ø 90 mm**
 Boja / Colour **bela / white**
 Dodatak uz sudoperu / Accessories **sifon / syphon**



Dimenzije / Dimensions **Ø 510 mm**
 Dubina korita / Bowl depth **180 mm**
 Mera ormarića / Cabinet dimensions **500 mm**
 Otvor sifona / Syphon hole **Ø 90 mm**
 Boja / Colour **crna / black**
 Dodatak uz sudoperu / Accessories **sifon / syphon**

ARC slavina za sudoperu / **ARC** kitchen faucet



Crna / Black



Dimenzije / Dimensions **Ø 510 mm**
 Dubina korita / Bowl depth **180 mm**
 Mera ormarića / Cabinet dimensions **500 mm**
 Otvor sifona / Syphon hole **Ø 90 mm**
 Boja / Colour **siva / grey**
 Dodatak uz sudoperu / Accessories **sifon / syphon**

ARC slavina za sudoperu / **ARC** kitchen faucet



Siva / Grey



Dimenzije / Dimensions **Ø 510 mm**
 Dubina korita / Bowl depth **180 mm**
 Mera ormarića / Cabinet dimensions **500 mm**
 Otvor sifona / Syphon hole **Ø 90 mm**
 Boja / Colour **bež / beige**
 Dodatak uz sudoperu / Accessories **sifon / syphon**

ARC slavina za sudoperu / **ARC** kitchen faucet



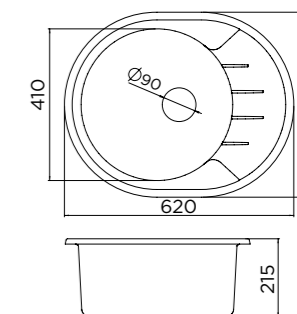
Bež / Beige



XVenera M



Dimenzije / Dimensions **620x500 mm**
 Dubina korita / Bowl depth **200 mm**
 Mera ormarića / Cabinet dimensions **500 mm**
 Otvor sifona / Syphon hole **Ø 90 mm**
 Boja / Colour **bela / white**
 Dodatak uz sudoperu / Accessories **sifon / syphon**



Dimenzije / Dimensions **620x500 mm**
 Dubina korita / Bowl depth **200 mm**
 Mera ormarića / Cabinet dimensions **500 mm**
 Otvor sifona / Syphon hole **Ø 90 mm**
 Boja / Colour **crna / black**
 Dodatak uz sudoperu / Accessories **sifon / syphon**

PELIKAN slavina za sudoperu / **PELIKAN** kitchen faucet



Crna / Black



Dimenzije / Dimensions **620x500 mm**
 Dubina korita / Bowl depth **200 mm**
 Mera ormarića / Cabinet dimensions **500 mm**
 Otvor sifona / Syphon hole **Ø 90 mm**
 Boja / Colour **siva / grey**
 Dodatak uz sudoperu / Accessories **sifon / syphon**

PELIKAN slavina za sudoperu / **PELIKAN** kitchen faucet



Siva / Grey



Dimenzije / Dimensions **620x500 mm**
 Dubina korita / Bowl depth **200 mm**
 Mera ormarića / Cabinet dimensions **500 mm**
 Otvor sifona / Syphon hole **Ø 90 mm**
 Boja / Colour **bež / beige**
 Dodatak uz sudoperu / Accessories **sifon / syphon**

PELIKAN slavina za sudoperu / **PELIKAN** kitchen faucet



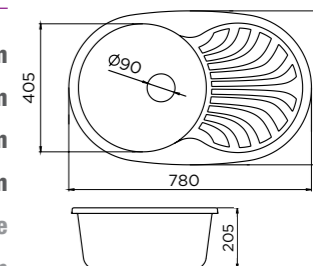
Bež / Beige



XVenera Plus



Dimenzije / Dimensions **780x500 mm**
 Dubina korita / Bowl depth **190 mm**
 Mera ormarića / Cabinet dimensions **500 mm**
 Otvor sifona / Syphon hole **Ø 90 mm**
 Boja / Colour **bela / white**
 Dodatak uz sudoperu / Accessories **sifon / syphon**



Dimenzije / Dimensions **780x500 mm**
 Dubina korita / Bowl depth **190 mm**
 Mera ormarića / Cabinet dimensions **500 mm**
 Otvor sifona / Syphon hole **Ø 90 mm**
 Boja / Colour **crna / black**
 Dodatak uz sudoperu / Accessories **sifon / syphon**

ARC slavina za sudoperu / **ARC** kitchen faucet



Crna / Black



Dimenzije / Dimensions **780x500 mm**
 Dubina korita / Bowl depth **190 mm**
 Mera ormarića / Cabinet dimensions **500 mm**
 Otvor sifona / Syphon hole **Ø 90 mm**
 Boja / Colour **siva / grey**
 Dodatak uz sudoperu / Accessories **sifon / syphon**

ARC slavina za sudoperu / **ARC** kitchen faucet



Siva / Grey



Dimenzije / Dimensions **780x500 mm**
 Dubina korita / Bowl depth **190 mm**
 Mera ormarića / Cabinet dimensions **500 mm**
 Otvor sifona / Syphon hole **Ø 90 mm**
 Boja / Colour **bež / beige**
 Dodatak uz sudoperu / Accessories **sifon / syphon**

ARC slavina za sudoperu / **ARC** kitchen faucet



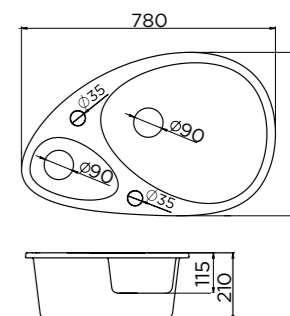
Bež / Beige



XElipse



Dimenzije / Dimensions **780x500 mm**
 Dubina korita / Bowl depth **195/105 mm**
 Mera ormarića / Cabinet dimensions **800 mm**
 Otvor sifona / Syphon hole **Ø 90 mm**
 Boja / Colour **bela / white**
 Dodatak uz sudoperu / Accessories **pop-up sifon / pop-up syphon**



Dimenzije / Dimensions **780x500 mm**
 Dubina korita / Bowl depth **195/105 mm**
 Mera ormarića / Cabinet dimensions **800 mm**
 Otvor sifona / Syphon hole **Ø 90 mm**
 Boja / Colour **crna / black**
 Dodatak uz sudoperu / Accessories **pop-up sifon / pop-up syphon**

PELIKAN slavina za sudoperu / **PELIKAN** kitchen faucet



Crna / Black



Dimenzije / Dimensions **780x500 mm**
 Dubina korita / Bowl depth **195/105 mm**
 Mera ormarića / Cabinet dimensions **800 mm**
 Otvor sifona / Syphon hole **Ø 90 mm**
 Boja / Colour **siva / grey**
 Dodatak uz sudoperu / Accessories **pop-up sifon / pop-up syphon**

PELIKAN slavina za sudoperu / **PELIKAN** kitchen faucet



Siva / Grey



Dimenzije / Dimensions **780x500 mm**
 Dubina korita / Bowl depth **195/105 mm**
 Mera ormarića / Cabinet dimensions **800 mm**
 Otvor sifona / Syphon hole **Ø 90 mm**
 Boja / Colour **bež / beige**
 Dodatak uz sudoperu / Accessories **pop-up sifon / pop-up syphon**

PELIKAN slavina za sudoperu / **PELIKAN** kitchen faucet



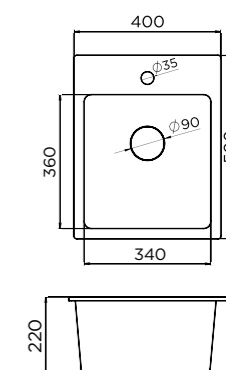
Bež / Beige



XQuadro 40



Dimenzije / Dimensions **500x400 mm**
 Dubina korita / Bowl depth **210 mm**
 Mera ormarića / Cabinet dimensions **450 mm**
 Otvor sifona / Syphon hole **Ø 90 mm**
 Boja / Colour **bela / white**
 Dodatak uz sudoperu / Accessories **sifon / syphon**



Dimenzije / Dimensions **500x400 mm**
 Dubina korita / Bowl depth **210 mm**
 Mera ormarića / Cabinet dimensions **450 mm**
 Otvor sifona / Syphon hole **Ø 90 mm**
 Boja / Colour **crna / black**
 Dodatak uz sudoperu / Accessories **sifon / syphon**

LINE slavina za sudoperu / **LINE** kitchen faucet



Crna / Black



Dimenzije / Dimensions **500x400 mm**
 Dubina korita / Bowl depth **210 mm**
 Mera ormarića / Cabinet dimensions **450 mm**
 Otvor sifona / Syphon hole **Ø 90 mm**
 Boja / Colour **siva / grey**
 Dodatak uz sudoperu / Accessories **sifon / syphon**

LINE slavina za sudoperu / **LINE** kitchen faucet



Siva / Grey



Dimenzije / Dimensions **500x400 mm**
 Dubina korita / Bowl depth **210 mm**
 Mera ormarića / Cabinet dimensions **450 mm**
 Otvor sifona / Syphon hole **Ø 90 mm**
 Boja / Colour **bež / beige**
 Dodatak uz sudoperu / Accessories **sifon / syphon**

LINE slavina za sudoperu / **LINE** kitchen faucet



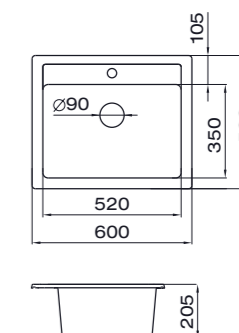
Bež / Beige



XQuadro 60



Dimenzije / Dimensions **600x500 mm**
 Dubina korita / Bowl depth **195 mm**
 Mera ormarića / Cabinet dimensions **600 mm**
 Otvor sifona / Syphon hole **Ø 90 mm**
 Boja / Colour **bela / white**
 Dodatak uz sudoperu / Accessories **sifon / syphon**



Dimenzije / Dimensions **600x500 mm**
 Dubina korita / Bowl depth **195 mm**
 Mera ormarića / Cabinet dimensions **600 mm**
 Otvor sifona / Syphon hole **Ø 90 mm**
 Boja / Colour **crna / black**
 Dodatak uz sudoperu / Accessories **sifon / syphon**

FONDO slavina za sudoperu / **FONDO** kitchen faucet



Dimenzije / Dimensions **600x500 mm**
 Dubina korita / Bowl depth **195 mm**
 Mera ormarića / Cabinet dimensions **600 mm**
 Otvor sifona / Syphon hole **Ø 90 mm**
 Boja / Colour **siva / grey**
 Dodatak uz sudoperu / Accessories **sifon / syphon**

FONDO slavina za sudoperu / **FONDO** kitchen faucet



Dimenzije / Dimensions **600x500 mm**
 Dubina korita / Bowl depth **195 mm**
 Mera ormarića / Cabinet dimensions **600 mm**
 Otvor sifona / Syphon hole **Ø 90 mm**
 Boja / Colour **bež / beige**
 Dodatak uz sudoperu / Accessories **sifon / syphon**

FONDO slavina za sudoperu / **FONDO** kitchen faucet

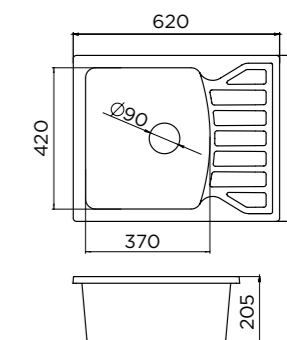




XQuadro M



Dimenzije / Dimensions **620x500 mm**
 Dubina korita / Bowl depth **190 mm**
 Mera ormarića / Cabinet dimensions **500 mm**
 Otvor sifona / Syphon hole **Ø 90 mm**
 Boja / Colour **bela / white**
 Dodatak uz sudoperu / Accessories **sifon / syphon**



Dimenzije / Dimensions **620x500 mm**
 Dubina korita / Bowl depth **190 mm**
 Mera ormarića / Cabinet dimensions **500 mm**
 Otvor sifona / Syphon hole **Ø 90 mm**
 Boja / Colour **crna / black**
 Dodatak uz sudoperu / Accessories **sifon / syphon**

FONDO slavina za sudoperu / **FONDO** kitchen faucet



Dimenzije / Dimensions **620x500 mm**
 Dubina korita / Bowl depth **190 mm**
 Mera ormarića / Cabinet dimensions **500 mm**
 Otvor sifona / Syphon hole **Ø 90 mm**
 Boja / Colour **siva / grey**
 Dodatak uz sudoperu / Accessories **sifon / syphon**

FONDO slavina za sudoperu / **FONDO** kitchen faucet



Dimenzije / Dimensions **620x500 mm**
 Dubina korita / Bowl depth **190 mm**
 Mera ormarića / Cabinet dimensions **500 mm**
 Otvor sifona / Syphon hole **Ø 90 mm**
 Boja / Colour **bež / beige**
 Dodatak uz sudoperu / Accessories **sifon / syphon**

FONDO slavina za sudoperu / **FONDO** kitchen faucet

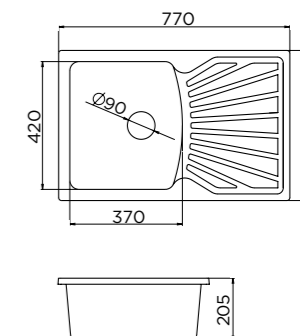




XQuadro Plus



Dimenzije / Dimensions **770x500 mm**
 Dubina korita / Bowl depth **190 mm**
 Mera ormarića / Cabinet dimensions **500 mm**
 Otvor sifona / Syphon hole **Ø 90 mm**
 Boja / Colour **bela / white**
 Dodatak uz sudoperu / Accessories **sifon / syphon**



Dimenzije / Dimensions **770x500 mm**
 Dubina korita / Bowl depth **190 mm**
 Mera ormarića / Cabinet dimensions **500 mm**
 Otvor sifona / Syphon hole **Ø 90 mm**
 Boja / Colour **crna / black**
 Dodatak uz sudoperu / Accessories **sifon / syphon**

LINE slavina za sudoperu / **LINE** kitchen faucet



Crna / Black



Dimenzije / Dimensions **770x500 mm**
 Dubina korita / Bowl depth **190 mm**
 Mera ormarića / Cabinet dimensions **500 mm**
 Otvor sifona / Syphon hole **Ø 90 mm**
 Boja / Colour **siva / grey**
 Dodatak uz sudoperu / Accessories **sifon / syphon**

LINE slavina za sudoperu / **LINE** kitchen faucet



Siva / Grey



Dimenzije / Dimensions **770x500 mm**
 Dubina korita / Bowl depth **190 mm**
 Mera ormarića / Cabinet dimensions **500 mm**
 Otvor sifona / Syphon hole **Ø 90 mm**
 Boja / Colour **bež / beige**
 Dodatak uz sudoperu / Accessories **sifon / syphon**

LINE slavina za sudoperu / **LINE** kitchen faucet



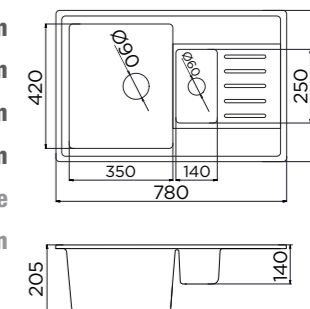
Bež / Beige



XQuadro Plus 1.5D



Dimenzije / Dimensions **780x500 mm**
 Dubina korita / Bowl depth **195 / 130 mm**
 Mera ormarića / Cabinet dimensions **600 mm**
 Otvor sifona / Syphon hole **Ø 90 / 60 mm**
 Boja / Colour **bela / white**
 Dodatak uz sudoperu / Accessories **sifon / syphon**



Dimenzije / Dimensions **780x500 mm**
 Dubina korita / Bowl depth **195 / 130 mm**
 Mera ormarića / Cabinet dimensions **600 mm**
 Otvor sifona / Syphon hole **Ø 90 / 60 mm**
 Boja / Colour **crna / black**
 Dodatak uz sudoperu / Accessories **sifon / syphon**

LINE slavina za sudoperu / **LINE** kitchen faucet



Crna / Black



Dimenzije / Dimensions **780x500 mm**
 Dubina korita / Bowl depth **195 / 130 mm**
 Mera ormarića / Cabinet dimensions **600 mm**
 Otvor sifona / Syphon hole **Ø 90 / 60 mm**
 Boja / Colour **siva / grey**
 Dodatak uz sudoperu / Accessories **sifon / syphon**

LINE slavina za sudoperu / **LINE** kitchen faucet



Siva / Grey



Dimenzije / Dimensions **780x500 mm**
 Dubina korita / Bowl depth **195 / 130 mm**
 Mera ormarića / Cabinet dimensions **600 mm**
 Otvor sifona / Syphon hole **Ø 90 / 60 mm**
 Boja / Colour **bež / beige**
 Dodatak uz sudoperu / Accessories **sifon / syphon**

LINE slavina za sudoperu / **LINE** kitchen faucet



Bež / Beige

SLAVINE ZA XGRANIT SUDOPERE / FAUCETS FOR XGRANIT SINKS



ARC slavina za sudoperu / ARC kitchen faucet

Crna / Black Siva / Grey Bež / Beige



LINE slavina za sudoperu / LINE kitchen faucet

Crna / Black Siva / Grey Bež / Beige



PELIKAN slavina za sudoperu / PELIKAN kitchen faucet

Crna / Black Siva / Grey Bež / Beige



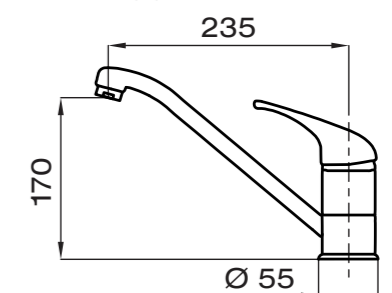
FONDO LP/HP slavina za sudoperu / FONDO LP/HP kitchen faucet

Crna / Black Siva / Grey Bež / Beige



LP - slavina sa niskim pritiskom sa 3 cevi / LP - low pressure faucet with 3 pipes

HP - slavina sa visokim pritiskom sa 2 cevi / HP - high pressure faucet with 2 pipes



SIFONI / SYPHONS



Rešetka Ø 90 mm /
Drain Ø 90 mm



Rešetka Ø 60 mm sa rešetkastim umetkom / Drain Ø 60 mm with gasket



Rešetka Ø 60 mm /
Drain Ø 60 mm

Sifon Ø 90 mm jednodelni / Single-piece syphon Ø 90 mm

- Inox rešetka / stainless steel drain
- Inox rešetkasti umetak / stainless steel trainer with gasket
- Inox šraf / stainless steel screw
- Gibljivo crevo / flexible tube
- Priključak za mašinu / connection for dishwashing machine
- Prelivno crevo / overflow tube



Sifon Ø 90 mm dvodelni / Two-piece syphon Ø 90 mm

- Inox rešetka / stainless steel drain
- Inox rešetkasti umetak / stainless steel trainer with gasket
- Inox šraf / stainless steel screw
- Gibljivo crevo / flexible tube
- Priključak za mašinu / connection for dishwashing machine
- Prelivno crevo / overflow tube



Sifon Ø 60 mm jednodelni / Single-piece syphon Ø 60 mm

- Inox rešetka / stainless steel drain
- Inox šraf / stainless steel screw
- Gibljivo crevo / flexible tube
- Priključak za mašinu / connection for dishwashing machine
- Prelivno crevo / overflow tube



Sifon Ø 60 mm dvodelni / Two-piece syphon Ø 60 mm

- Inox rešetka / stainless steel drain
- Inox šraf / stainless steel screw
- Gibljivo crevo / flexible tube
- Priključak za mašinu / connection for dishwashing machine
- Prelivno crevo / overflow tube



Sifon Ø 60 mm Lux jednodelni / Single-piece syphon Lux Ø 60 mm

- Inox rešetka / stainless steel drain
- Inox rešetkasti umetak / stainless steel trainer with gasket
- Inox šraf / stainless steel screw
- Gibljivo crevo / flexible tube
- Priključak za mašinu / connection for dishwashing machine
- Prelivno crevo / overflow tube



Sifon Ø 60 mm Lux dvodelni / Two-piece syphon Lux Ø 60 mm

- Inox rešetka / stainless steel drain
- Inox rešetkasti umetak / stainless steel trainer with gasket
- Inox šraf / stainless steel screw
- Gibljivo crevo / flexible tube



- Priključak za mašinu / connection for dishwashing machine
- Prelivno crevo / overflow tube



Granmatrix spada u grupu kompozitnih, odnosno tzv. Solid Surface materijala. Osnovni sastojak Granmatrix-a je poli-esterska akrilno modifikovana smola, koja se meša sa odgovarajućim mineralom (aluminijum-trihidroksid), koji datoj smoli daje formu i čvrstoću. Na ovaj način dobija se proizvod koji izgleda kao kamen, a obrađuje se lako kao drvo.

Granmatrix je materijal koji se izlivanjem može pretočiti u bilo koju formu. Metalac inko od Granmatrix-a proizvodi ploče (različitih dimenzija i debljina) i druge oblike (umivaonici, sudopere, kade itd). Krajnji proizvodi izrađuju se po porudžbini, prema zahtevima i specifikacijama krajnjih kupaca, a u saradnji sa ovlašćenim partnerima – proizvođačima nameštaja.

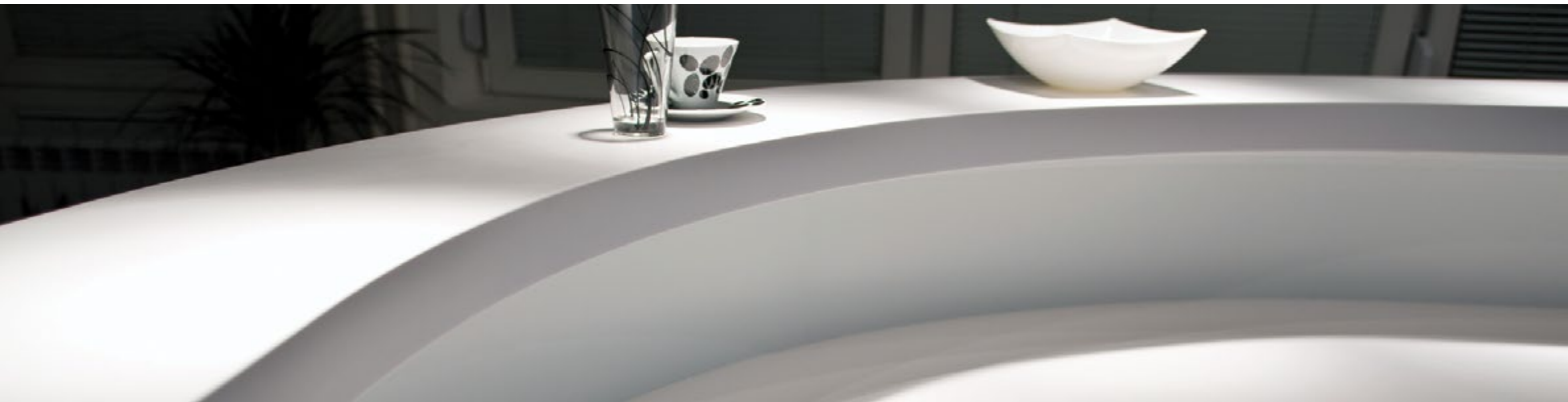
Granmatrix is a Solid Surface composite material. The main component of the Granmatrix is a polyester acryl-modified resin mixed with the mineral (aluminium trihydroxide) which gives shape and hardness to the resin. As a result we get the material that is hard as a stone and at the same time easy to work with.

Granmatrix material can be cast in any desired shape and has many possible applications in both interior and exterior design. Metalac Inko Ltd makes sheets in various sizes and thicknesses and other shapes like sinks, washbasins, bath tubs... A final product is custom made upon requirements and specifications of end users, in cooperation with authorized partners – furniture manufacturers.

Karakteristike Granmatrix-a / Granmatrix Properties

- Širok spektar boja i dezena - Metalac inko u paleti trenutno ima oko pedeset boja, pri čemu je paleta praktično neograničena
- Glatka površina i prijatan osećaj na dodir
- Nevidljivi spojevi i prelazi između delova – tzv. monoblok izgled, odnosno utisak da je krajnji proizvod napravljen iz jednog dela
- Antibakterijska, neporozna i hemijsko-fizički otporna površina - što Granmatrix čini odličnim izborom u oblasti pripreme hrane i zdravstvenim ustanovama
- Jednostavno fabrikovanje i instalacija
- Jednostavno čišćenje i održavanje
- Reparabilnost – bilo kakva oštećenja (sitne ogrebotine i sl) mogu se popraviti, tako da proizvod, koji je godinama bio u upotrebi, može ponovo izgledati kao nov
- Granmatrix je materijal sa termooblikujućim osobinama, što znači da se može zagrevati i saviti u različite trodimenzionalne oblike, što doprinosi broju različitih mogućnosti primene

- Wide range of colours and patterns – we offer around fifty colours and patterns, while the palette is practically unlimited
- Smooth surface, pleasant to touch
- Seamless texture and monoblock structure
- Anti-bacterial non porous surface with chemical and physical resistance – Granmatrix is a great choice for contact with food and for medical environment
- Easy manufacture and installation
- Easy to use and clean
- Repairable – any damage (like small scratches and similar) could be repaired and the top surface that had been used for years could look like brand new
- Thermoformable – Granmatrix can be heated and bent into different three-dimensional forms, which contributes to the the number of different application possibilities





Zahvaljujući jedinstvenim osobinama, Granmatrix predstavlja sjajan izbor za izradu kuhinjskih elemenata:

- Monoblok izgled, odnosno neprimetnost spojeva i utisak da je kuhinjska ploča izlivena iz komada.
- Potpuna inertnost materijala garantuje sigurnost u pripremanju hrane i visok nivo higijene.
- Neograničene mogućnosti dizajna - potpuna sloboda u oblikovanju radnih ploča, uz praktično neograničenu paletu boja.
- Glatka, neporozna površina i neprimetnost spojeva čine materijal jednostavnim za održavanje i čišćenje, a čak i uobičajene hemikalije koje se koriste u kuhinjama ne mogu izazvati oštećenja.

Thanks to its unique properties, Granmatrix is a great choice for kitchen cabinets:

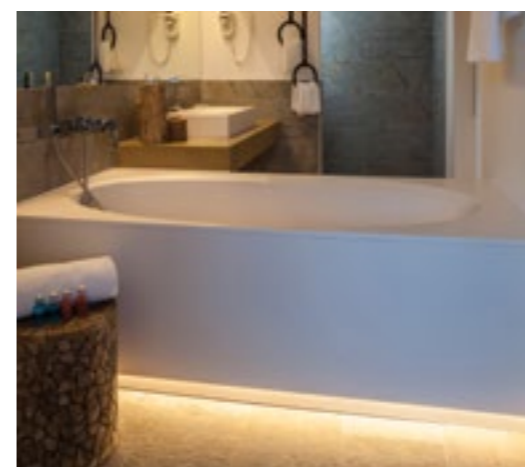
- Monoblock appearance – invisibility of joints and the impression that the kitchen worktop is cast from a single piece of material.
- Complete inertness of the material guarantees safety in food preparation and high hygiene level.
- Unlimited design possibilities – complete freedom in designing worktops, with virtually unlimited color palette.
- Smooth, non-porous surfaces and invisibility of joints allow easy maintenance and cleaning, and even common chemicals used in kitchens cannot cause damage.



Umivaonici, kade, kupatilski nameštaj...

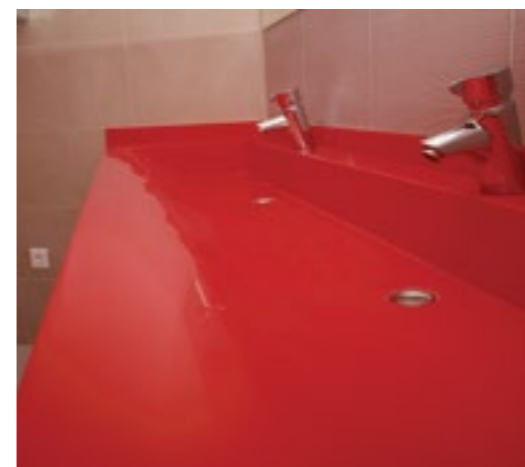
Zahvaljujući neporoznoj površini i otpornosti na vodu, Granmatrix je idealan za upotrebu u kupatilima i može da podnese svakodnevne uslove visoke vlage. Glatka površina i prijatan osećaj na dodir pružaju izuzetno zadovoljstvo u svakodnevnom korišćenju.

Belo ili u boji koju poželite - mogućnosti za dizajn su gotovo neograničene.



Sinks, bathtubs, bathroom furniture... Thanks to it's non-porous surface and water resistance, Granmatrix is ideal for use in bathrooms and may be submitted to everyday conditions of high humidity. The smooth surface and a pleasant feeling to the touch provide great satisfaction in everyday use.

White or any color you want – design possibilities are almost limitless.





Šankovi, pultovi, radne ploče u restoranima...

Visoko prometna mesta i svakodnevna intenzivna upotreba zahtevaju izdržljiv materijal. Granmatrix je materijal koji je po svim presecima jednakog kvaliteta, sastava, boje i dezena, tako da se bilo kakva oštećenja mogu popraviti, a proizvod, koji je godina-ma bio u upotrebi, može ponovo izgledati kao nov.

Higijenska svojstva Granmatrix-a podrazumevaju da je pogodan za upotrebu na javnim mestima.

Bars, counters, worktops in restaurants... High traffic public places and intensive daily use require durable product. Granmatrix is a material that is equal in all sections in terms of quality, composition, color and pattern; this means that any damage can be repaired, and that a product, which has been in use for years, can once again look like new.

Hygienic properties of Granmatrix make it suitable for use in public places.



Granmatrix je otporan na agresivne hemikalije, što omogućuje njegovu primenu u laboratorijama.

Takođe, Granmatrix je otporan na visoke temperature i do 180 °C.

Granmatrix is resistant to aggressive chemicals, which enables its use in laboratories.


Also, Granmatrix is resistant to high temperatures up to 180 °C.



Projekat / Project :  (Hotel Gare de l'Est - ASA)

Photo © Luc Boegly

Dizajn / Design:  (ZsOFIA VARNAGY)

Realizacija / Realization:  (DMP)



Izuzetne osobine Granmatrix kompozitnog materijala svoj puni izraz mogu naći u opremanju enterijera, kako domova, tako i javnih objekata. Zahvaljujući neograničenim mogućnostima oblikovanja, kao i širokoj paleti boja, neograničene su i mogućnosti dizajnerskih rešenja za opremanje unutrašnjeg prostora.

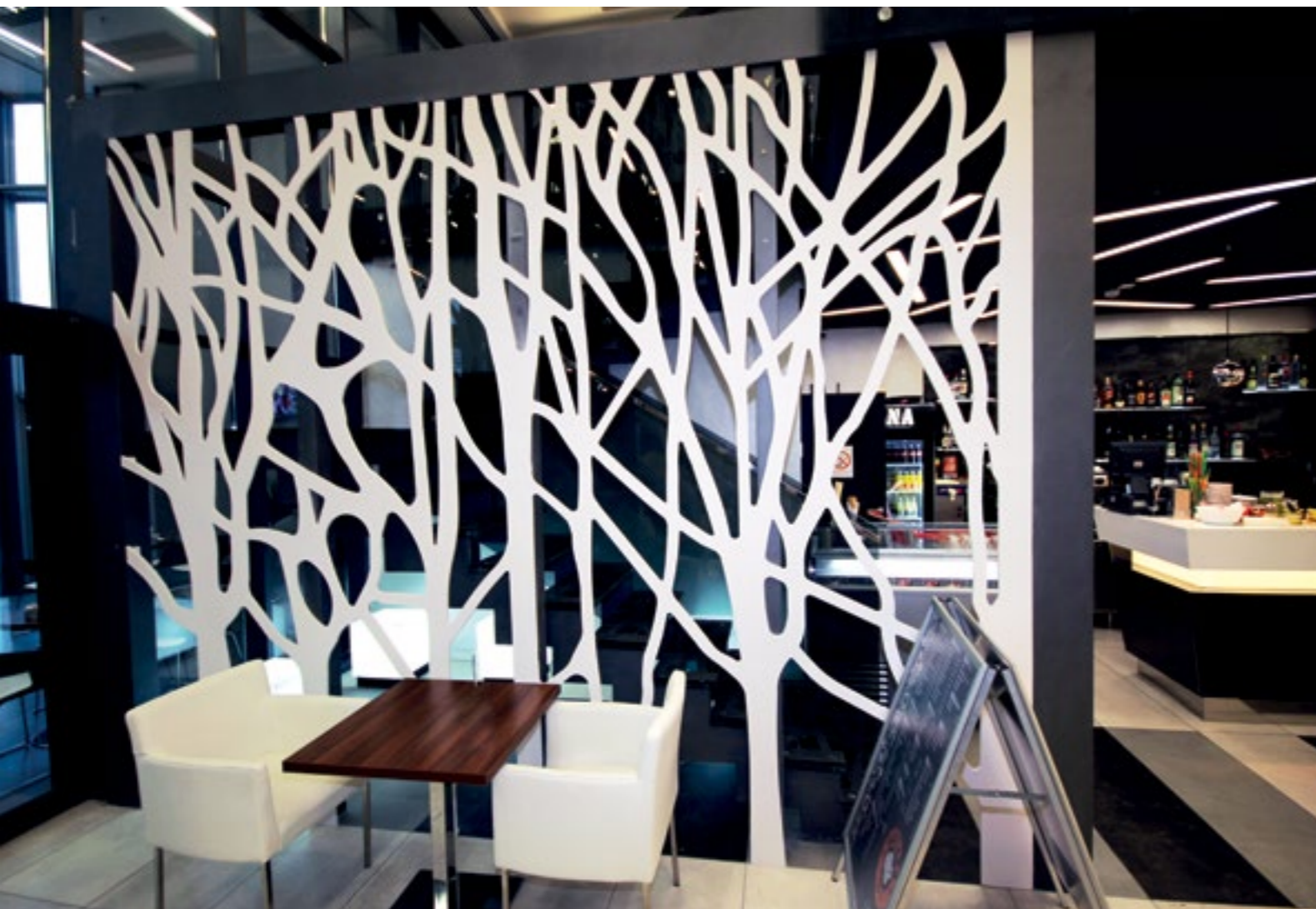
Granmatrix is a material with thermoforming properties – it can be heated and bent into different three-dimensional shapes, which further contributes to great possibilities in interior design – tables, lamps, shelves, bathroom furniture...



Granmatrix je otporan na atmosferske uticaje i UV zrake, tako da se može koristiti i za izradu potprozornika za spoljašnju, kao i za unutrašnju primenu. Potprozornici se izrađuju po meri, a moguće su različite kombinacije oblika i boja.

Granmatrix is resistant to weathering and UV rays, so it can be used for window sills in both indoor and outdoor use.

Window sills are made to measure and are available in different combinations of shapes and colours.



Granmatrix nudi dizajnerima, arhitektama i enterijeristima velike mogućnosti i slobodu u kreiranju.

Skoro sve što se zamisli moguće je izvesti, bilo da su u pitanju nepravilni oblici, kombinacije sa drugim materijalima, igre svetlosti i boja itd.

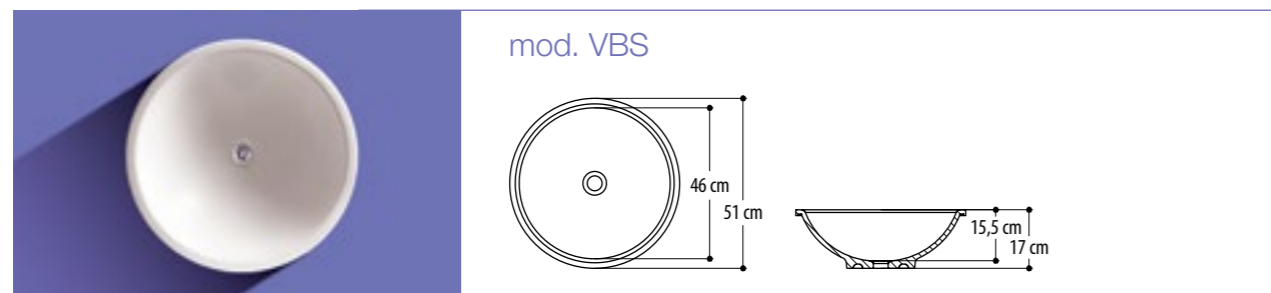


Granmatrix offers designers, architects and interior designers great opportunities and freedom in creation.

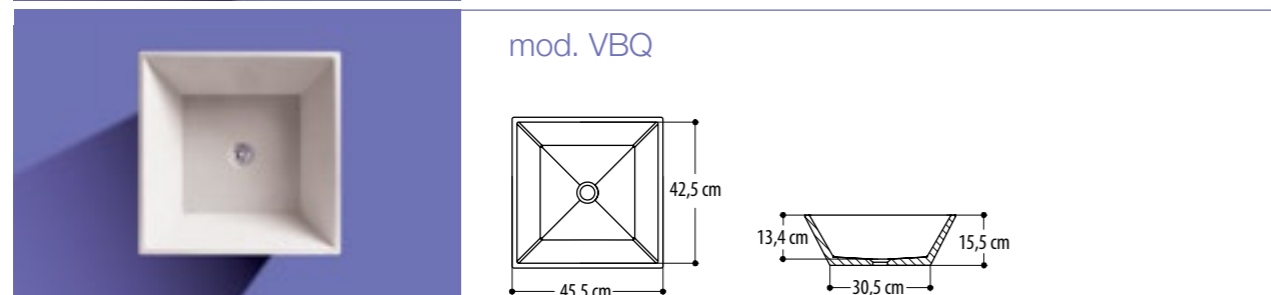
Almost everything imaginable is possible to perform - in terms of irregular shapes, different colour combinations, combinations with other materials etc.

MODELI / MODELS

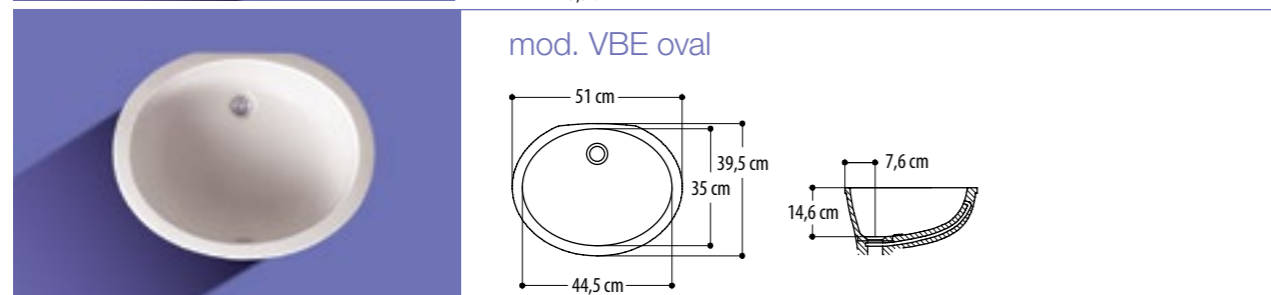
Umivaonici / Washbasins
Sudopere / Sinks



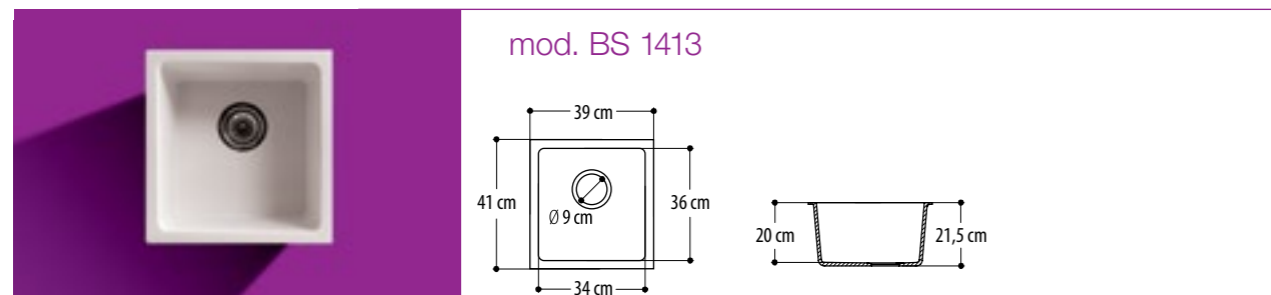
mod. VBS



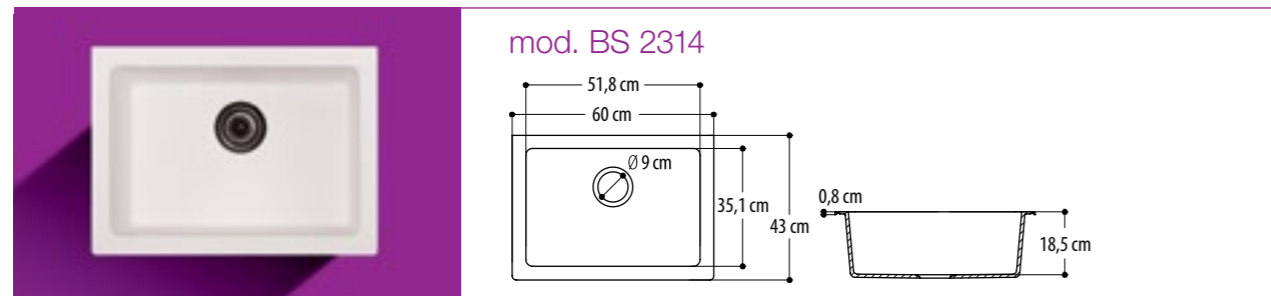
mod. VBQ



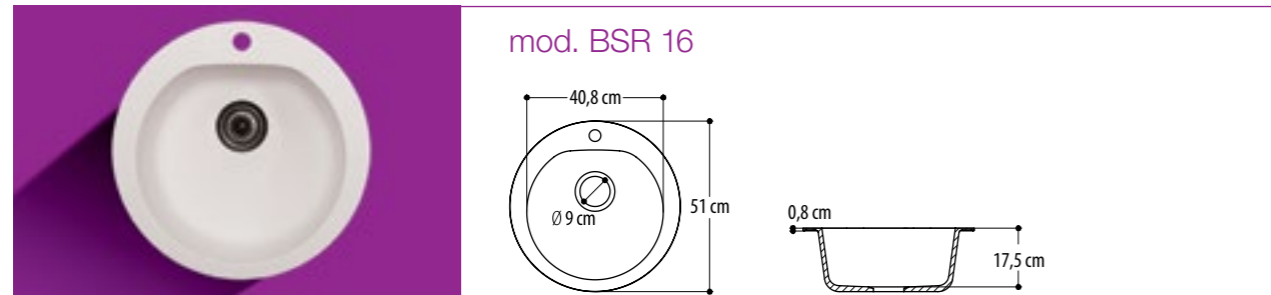
mod. VBE oval



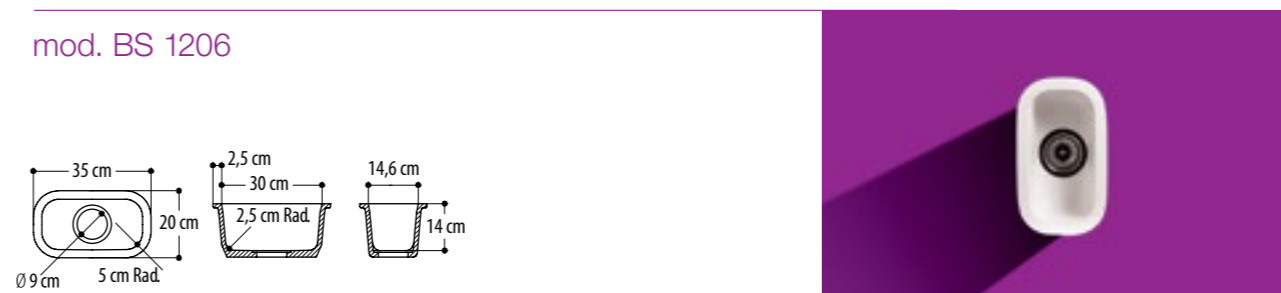
mod. BS 1413



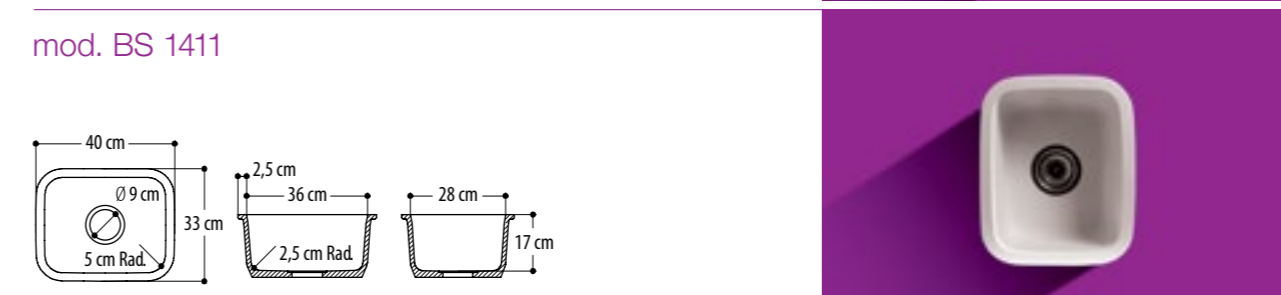
mod. BS 2314



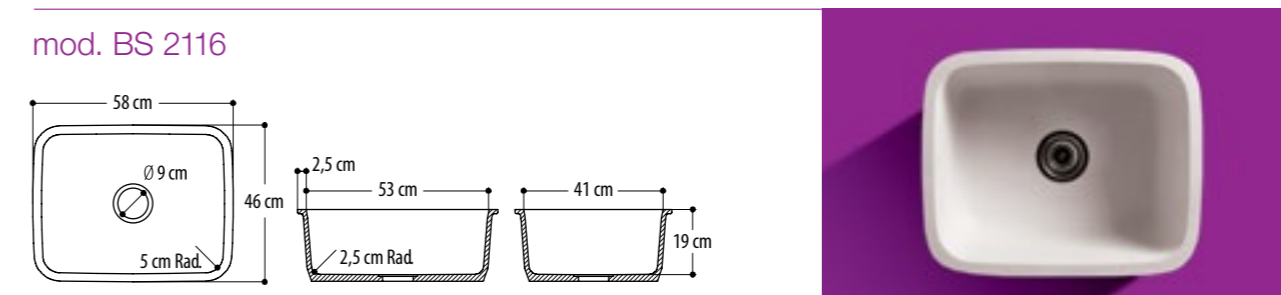
mod. BSR 16



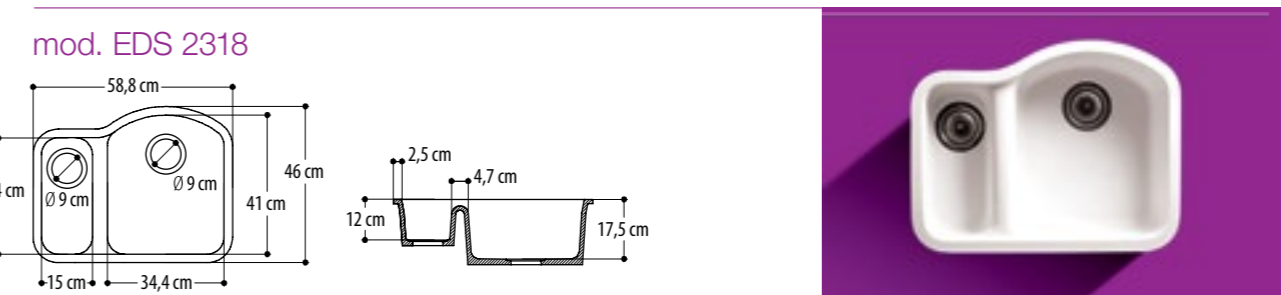
mod. BS 1206



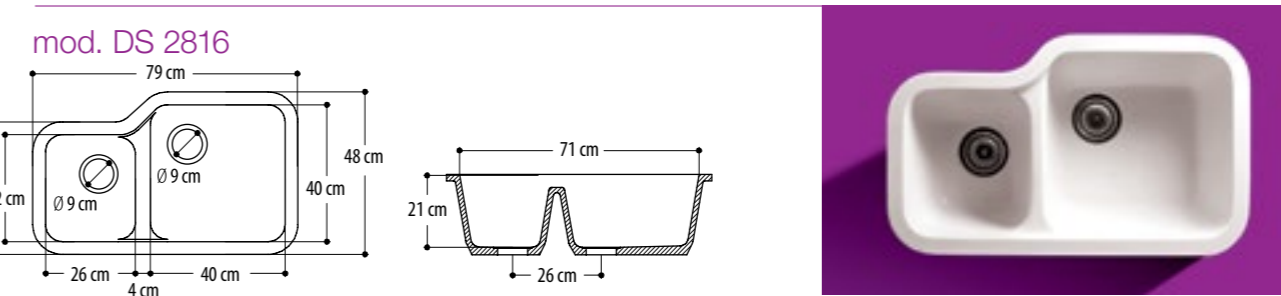
mod. BS 1411



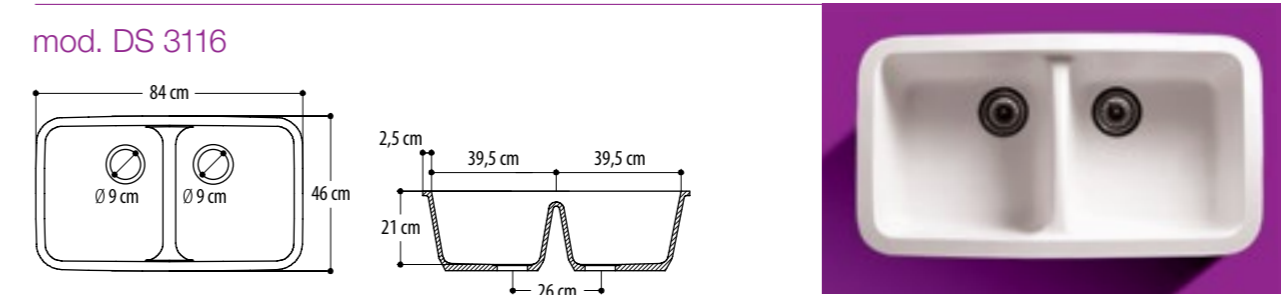
mod. BS 2116



mod. EDS 2318

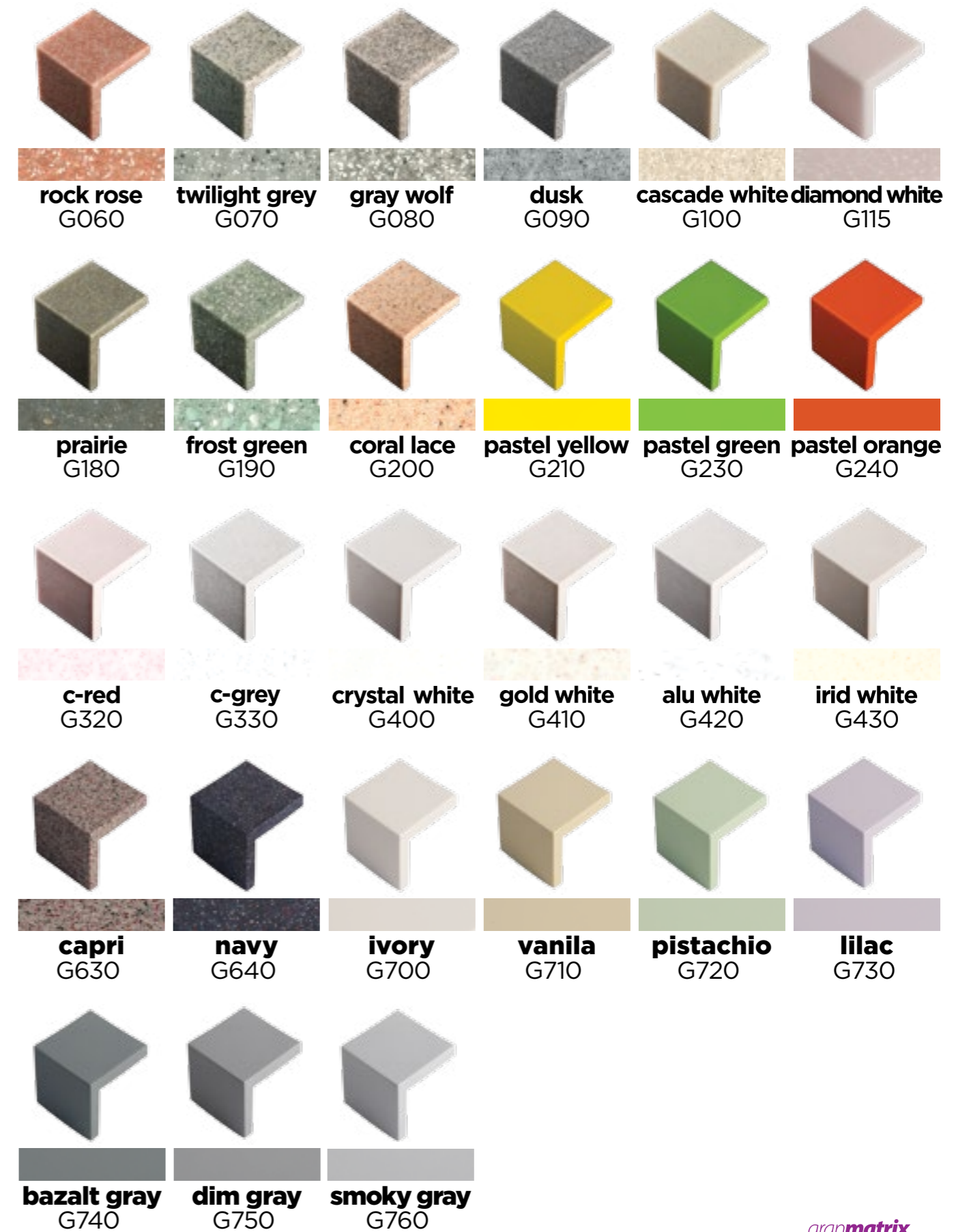
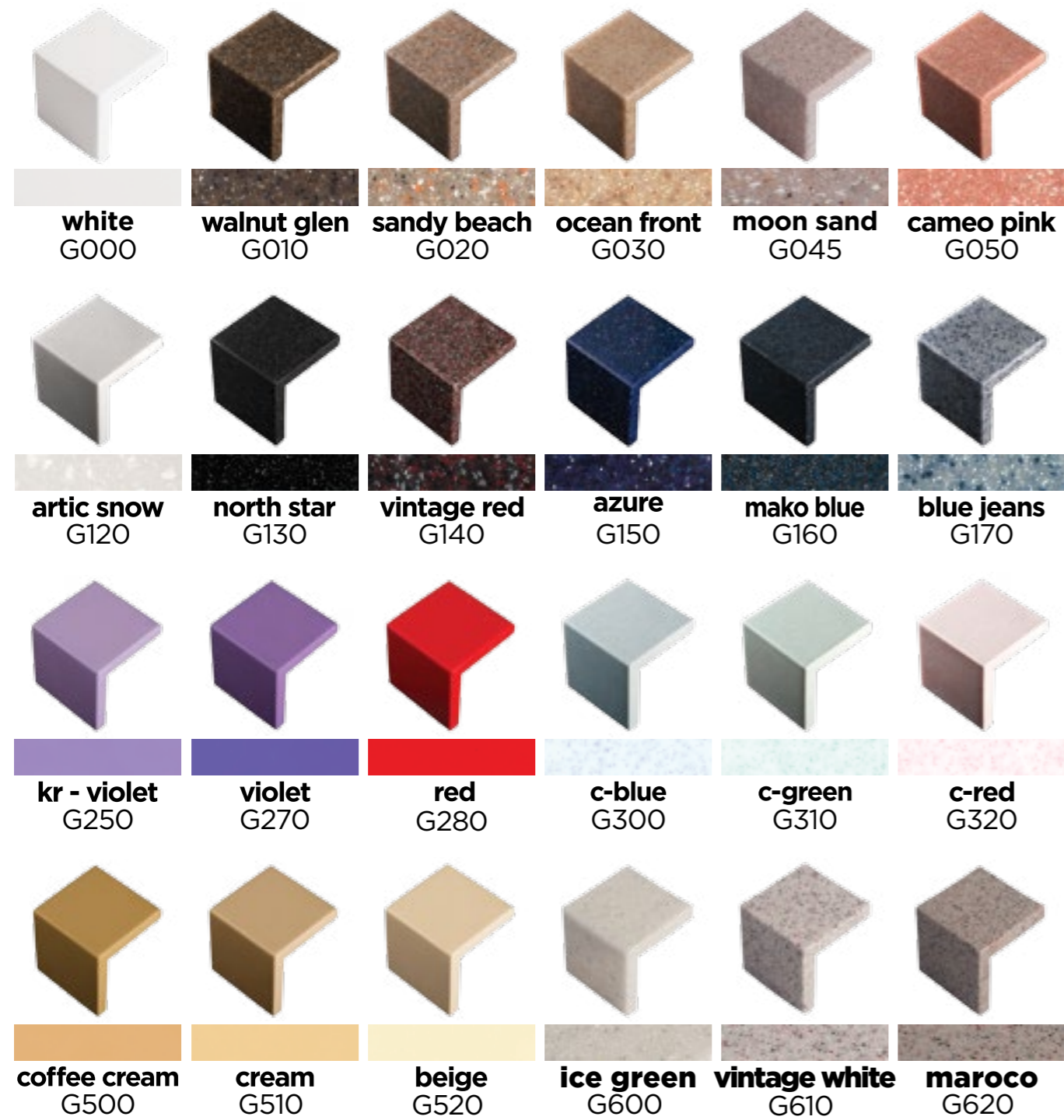


mod. DS 2816



mod. DS 3116

BOJE / COLOURS



KUPATILSKI NAMEŠTAJ / BATHROOM FURNITURE



U želji da upotpuni asortiman proizvoda za kupatilo i da tržištu ponudi svoju viziju kupatilskog nameštaja, Metalac Inko je predstavio liniju umivaonika izrađenih od Granmatrix kompozitnog materijala.

Asortiman Granmatrix kupatilskog nameštaja obuhvata:

- Gotove elemente – setove kupatilskog nameštaja koji obuhvataju umivaonik sa korpusom i ogledalo, kao kompletno rešenje za opremanje kupatila. Granmatrix umivaonici sa korpusom predviđeni su za montažu na zid, a ogledalo spada u sastavni deo seta. Korpusi su izrađeni od univera, sa frontovima od farbanog MDF-a, uz mogućnost odabira različitih tekstura.
- Pojedinačne modele umivaonika – ukupno trinaest modela jednodelnih i dvodelnih umivaonika, za sve koji žele sami da dizajniraju svoje kupatilo.

In order to complement the range of products for the bathroom and to offer its vision of bathroom furniture, Metalac Inko introduced the line of washbasins made of Granmatrix composite material.

Assortment of Granmatrix bathroom furniture includes:

- Sets of bathroom furniture which include washbasins with the cabinet and mirror, as a complete solution for your bathroom. Granmatrix bathroom sets are mounted on a wall, and are made of plywood, with fronts made of painted MDF. Several different textures are available.
- Individual models of washbasins – a total of thirteen one-piece and two-piece washbasins, for those who want to design their own bathroom.

Karakteristike / Characteristics

Granmatrix umivaonici imaju sva pozitivna svojstva Granmatrix materijala, od kojih posebno treba izdvojiti:

- Antibakterijska, neporozna površina, koja je idealna za svakodnevne uslove visoke vlage
- Jednostavno čišćenje i održavanje; za svakodnevno održavanje potrebni su samo vlažna krpa i blago sredstvo za čišćenje
- Reparabilnost – bilo kakva oštećenja (sitne ogrebotine i sl) mogu se popraviti, tako da proizvod, koji je godinama bio u upotrebi, može ponovo izgledati kao nov
- Glatka površina i prijatan osećaj na dodir

Granmatrix washbasins have all the advantages of the Granmatrix composite material, most important being:

- Anti-bacterial, non-porous surface - ideal for everyday exposure to high humidity
- Easy to clean and maintain - for everyday maintenance only a damp cloth and mild detergent are required
- Repairable – any damage (like small scratches and similar) could be repaired and the top surface that had been used for years could look like brand new
- Smooth surface, pleasant to touch

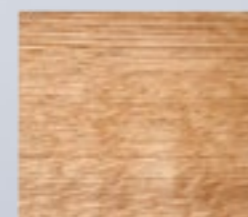
Teksture / Textures

Jasen



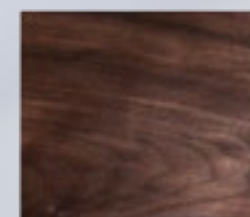
Ash

Hrast



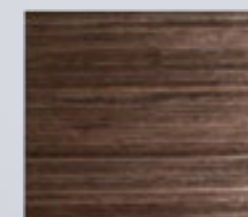
Oak

Orah

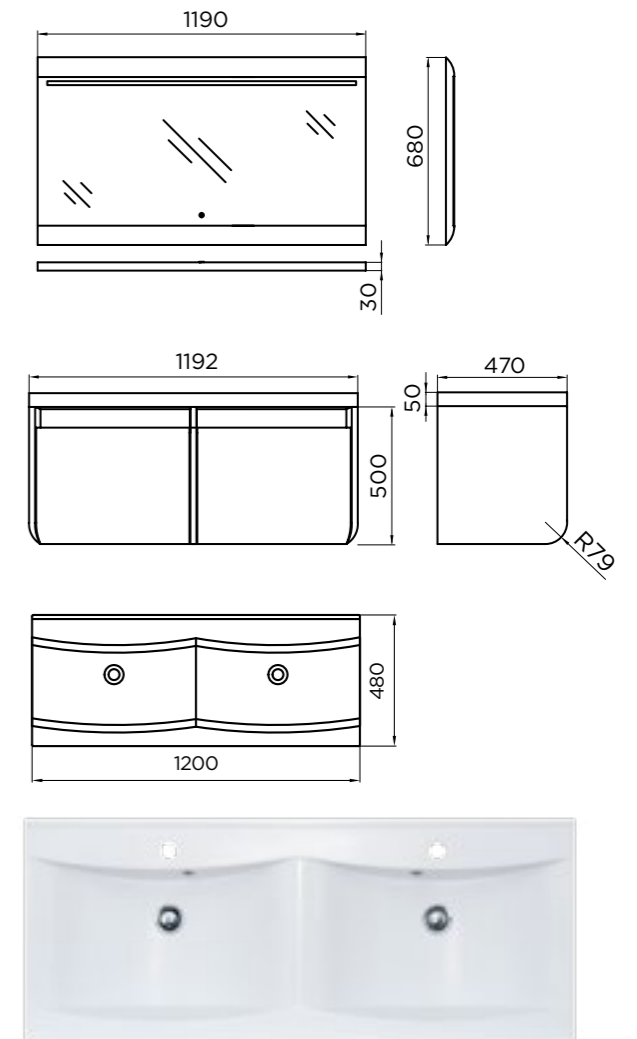
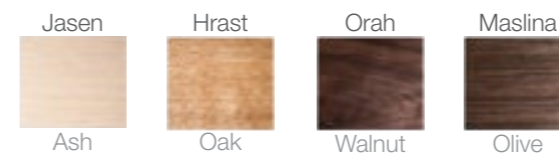


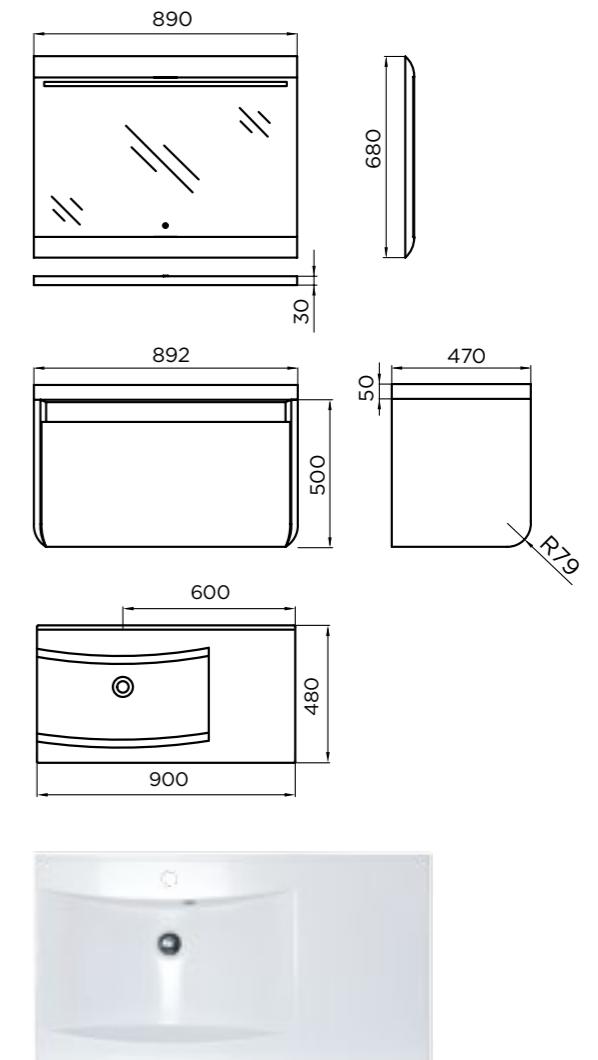
Walnut

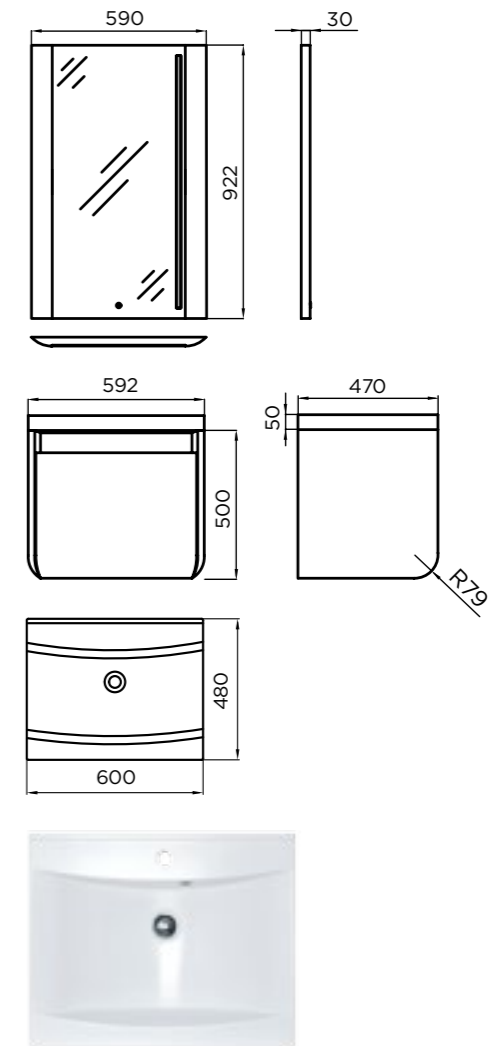
Maslina



Olive

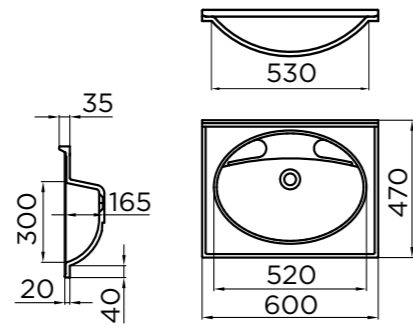




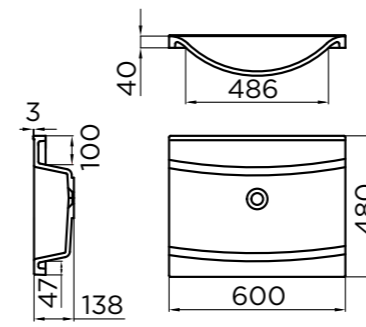


MODELI / MODELS

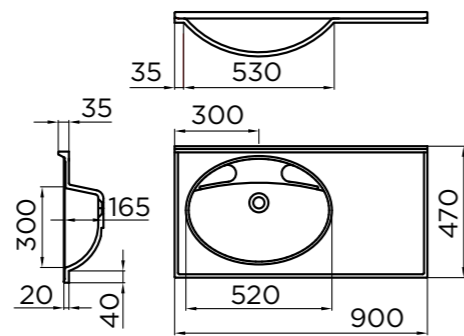
Basic 60 C



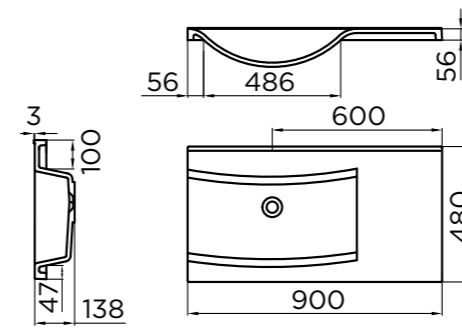
Venus 60 C



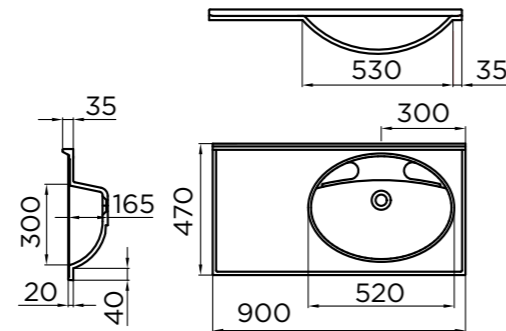
Basic 90 L



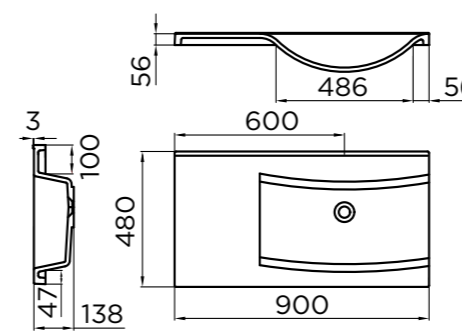
Venus 90 L



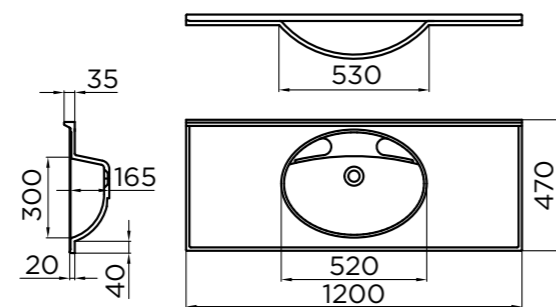
Basic 90 D



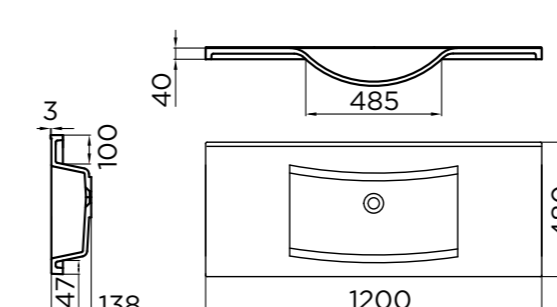
Venus 90 D



Basic 120 C



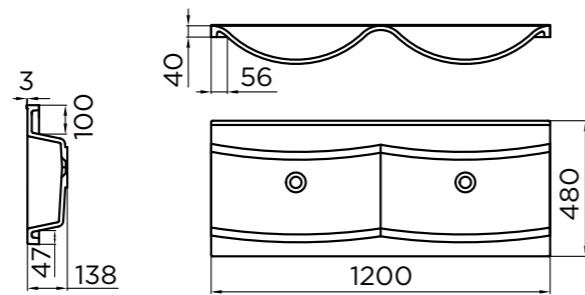
Venus 120 C



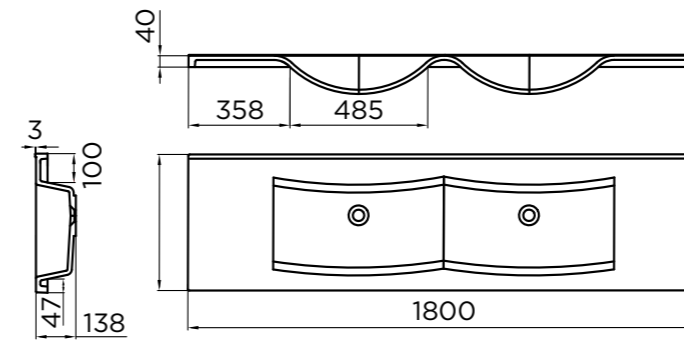
MODELI / MODELS



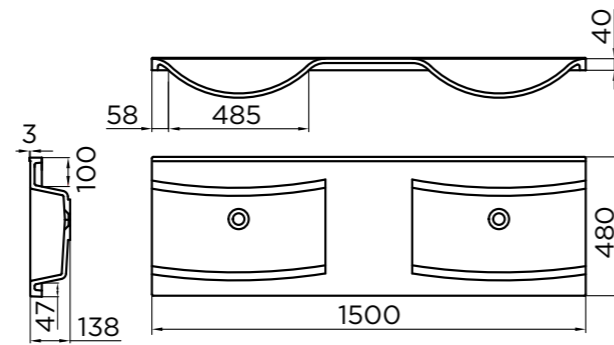
Venus 120 Dual



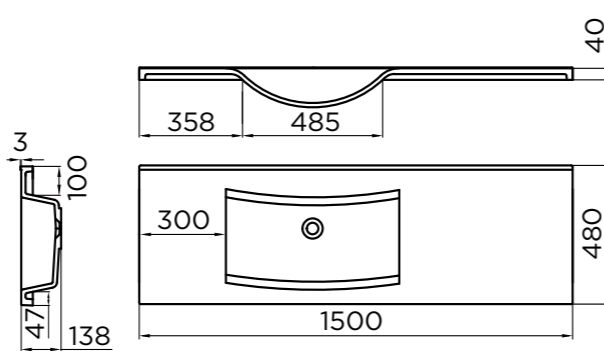
Venus 180 Dual



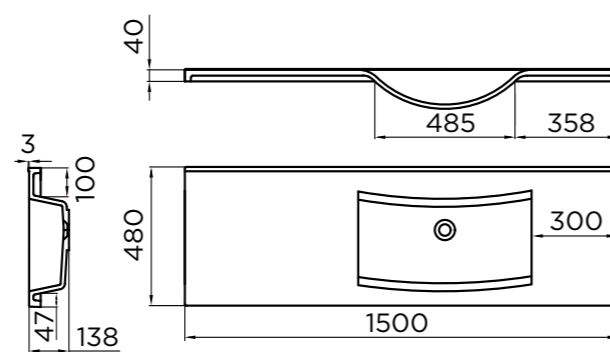
Venus 150 Dual



Venus 150 L



Venus 150 D



Metalac bojler je najmlađe preduzeće u okviru Metalac grupe iz Gornjeg Milanovca. Osnovano je 2006. godine i bavi se proizvodnjom bojlera za rezidencijalne i komercijalne korisnike.

Preko pedeset godina iskustva u tehnologiji površinske zaštite emajliranjem i više od tri decenije iskustva u proizvodnji ključnih komponenti bojlera, opredelili su kompaniju Metalac da od 2006. godine otpočne proizvodnju bojlera pod sopstvenom robnom markom „Metalac bojler“, od kada kreće i samostalan nastup na tržištu. 2008. godine kompanija započinje izgradnju novih proizvodnih pogona puštenih u rad 2009. godine. Proizvodni kapacitet novoizgrađene

fabrike je 230 hiljada jedinica godišnje. Od osnivanja, Metalac bojler postepeno širi svoju tržišnu mrežu. Trenutno su bojleri Metalac prisutni u više od četrdeset prodajnih mesta širom Srbije, od čega u više od sedamdeset objekata Metalčevog maloprodajnog lanca. Pored domaćeg tržišta, bojleri Metalac uspešno se prodaju na tržištima zemalja potpisnica CEFTA sporazuma, na tržištu EU, kao i u Rusiji i Ukrajini.

Metalac Bojler is the youngest company within the Metalac Group from Gornji Milanovac. Founded in 2006, it deals with the production of water heaters for residential and commercial customers.

Over fifty years of experience in the technology of enamel surface treatment, and more than three decades of experience in the production of key components for the water heater, have orientated the Metalac company to decide to launch, in the year 2006, the production of water heaters, under its own brand name "Metalac Bojler", since when it started to independently appear in the market. In the year 2008, the company began building a new production

plant that was put into operation in 2009. Since foundation, Metalac Bojler has been gradually expanding its market network. Currently, Metalac water heaters are present in more than four hundred sales outlets throughout Serbia, of which more than seventy facilities belong to Metalac retail chain. Besides the national market, Metalac water heaters are successfully sold in the markets of CEFTA member states, the EU market, as well as in Russia and Ukraine.



METALAC BOJLER

KATALOG PROIZVODA / PRODUCT CATALOGUE

- Bojleri srednjih litraža / Storage Water Heaters : **01**
- Bojleri velikih litraža / Large Capacity Water Heaters : **02**
- Malolitražni bojleri / Small Capacity Water Heaters : **03**
- Hidroforske posude / Hydrophore Tanks : **04**
- Slavine AQUABI / AQUABI faucets : **05**



ASORTIMAN / ASSORTMENT

BOJLERI SREDNJIH LITRAŽA / STORAGE WATER HEATERS



MB STANDARD / MB STANDARD Ø 395 mm

Zapremina / Volume (l)	30	50	80
Visina / Height (mm)	504	704	1004

EMAJLIRANI KAZAN / ENAMELLED STEEL TANK



MB STANDARD / MB STANDARD Ø 395 mm

Zapremina / Volume (l)	30	50	80
Visina / Height (mm)	504	704	1004

INOX KAZAN / STAINLESS STEEL TANK



MB PRAKTIK / MB PRACTIC Ø 454 mm

Zapremina / Volume (l)	50	80	100	120
Visina / Height (mm)	591	811	951	1091

EMAJLIRANI KAZAN / ENAMELLED STEEL TANK



MB PRAKTIK / MB PRACTIC Ø 454 mm

Zapremina / Volume (l)	50	80	100	120
Visina / Height (mm)	591	811	951	1091

INOX KAZAN / STAINLESS STEEL TANK



MB HORIZONTALNI / MB HORIZONTAL Ø 395 mm

Zapremina / Volume (l)	80
Visina / Height (mm)	1004

EMAJLIRANI KAZAN / ENAMELLED STEEL TANK



MB SLIM / MB SLIM Ø 354 mm

Zapremina / Volume (l)	30	50	80
Visina / Height (mm)	535	785	1135

EMAJLIRANI I INOX KAZAN / ENAMELLED AND STAINLESS STEEL TANK



KLASSA / KLASSA Ø 454 mm

Zapremina / Volume (l)	50	80
Visina / Height (mm)	640	860

EMAJLIRANI KAZAN / ENAMELLED STEEL TANK



KLASSA SG / KLASSA SG Ø 454 mm

Zapremina / Volume (l)	50	80
Visina / Height (mm)	640	860

EMAJLIRANI KAZAN / ENAMELLED STEEL TANK

BOJLERI SREDNJIH LITRAŽA / STORAGE WATER HEATERS



MB KOMBINOVANI / MB COMBY Ø 454 mm

Zapremina / Volume (l) 80 120

Visina / Height (mm) 811 1091

EMAJLIRANI KAZAN / ENAMELLED STEEL TANK



MB KOMBINOVANI / MB COMBY Ø 454 mm

Zapremina / Volume (l) 80 120

Visina / Height (mm) 811 1091

INOX KAZAN / STAINLESS STEEL TANK

BOJLERI MALIH LITRAŽA / SMALL CAPACITY WATER HEATERS



MB MINI / MB MINI

Zapremina / Volume (l) 5 10

Visina / Height (mm) 406 480

Širina / Width (mm) 274 326

POLIPROPILENSKI KAZAN / POLYPROPYLENE TANK



MB MINI / MB MINI

Zapremina / Volume (l) 8

Visina / Height (mm) 396

Širina / Width (mm) 274

EMAJLIRANI I INOX KAZAN / ENAMELLED AND STAINLESS STEEL TANK

BOJLERI VELIKIH LITRAŽA / LARGE CAPACITY WATER HEATERS



VELIKE LITRAŽE / LARGE CAPACITY W.H. Ø 600 mm

Zapremina / Volume (l) 200 300

Visina / Height (mm) 1260 1770

INOX KAZAN / STAINLESS STEEL TANK

BOJLERI SREDNJIH LITRAŽA

STORAGE WATER HEATERS

KARAKTERISTIKE / FEATURES

01. KVALITETAN KAZAN

Kazani bojlera Metalac imaju prevlaku od emajla, koji štiti kazan od korozije i obezbeđuje visok nivo higijene vode. U proizvodnji bojlera primenjuje se elektrostatički postupak nanosa emajla, čime se postiže ravnomernost nanosa prema propisanim standardima. Bojleri Metalac dostupni su i u varijanti sa kazanom od nerđajućeg čelika (inox), koji pruža maksimalnu zaštitu od korozije (samo za linije Praktik, Standard, Slim i Kombinovani).

02. POLIURETANSKA IZOLACIJA

Bojleri Metalac imaju izolaciju od kvalitetne, ekološki bezbedne poliuretanske pene, debljine 17 do 40 mm. Poliuretanska pena obezbeđuje minimalne toplotne gubitke i uštedu u potrošnji električne energije.

03. Mg ANODA

U svaki boiler srednje litraže je ugrađena Mg anoda koja obezbeđuje višegodišnju zaštitu kazana od korozije. Mg anoda je smeštena u donjem delu kazana, što omogućuje njenu jednostavnu zamenu.

01. HIGH QUALITY TANK

Metalac water heater tanks have enamel coating, which protects against corrosion and provides high level of water hygiene. In the production process electrostatic process of enameling is applied, which secures even coating, according to standards. Metalac water heaters are also available in versions with stainless steel tank, which provides maximum protection against corrosion (only available for Standard, Practic, Slim and Comby water heaters).

02. POLYURETHANE INSULATION

Metalac water heaters have insulation of high quality, environmentally friendly polyurethane foam, thickness 17 to 40 mm. Polyurethane foam provides minimum heat loss and energy savings.

03. Mg ANODE

Metalac water heaters are fitted with Mg anode that provides long-lasting protection against corrosion. Mg anode is placed in the bottom part of the water heater, which allows its easy replacement.

04. SIGURNOSNI VENTIL

Uz svaki boiler srednje litraže isporučujemo sigurnosni ventil, čija je osnovna funkcija da onemogući da se u kazanu bojlera pojavi preveliki pritisak usled zagrevanja vode. Naši bojleri projektovani su za radni pritisak 0,6 MPa (6 bara), a u serijskoj proizvodnji se testiraju na 1,2 MPa (12 bara).

05. UNIVERZALNI NOSAČ

Zahvaljujući širokom rasponu za kačenje od 130 do 360 mm, koji odgovara većini bojlera na tržištu, univerzalni nosač omogućuje jednostavnu montažu u slučaju zamene bojlera. Na ovaj način izbegava se bušenje dodatnih rupa u kupatilu.

06. TERMOREGULACIJA

Bojleri srednje litraže Metalac dostupni su u dve varijante – sa unutrašnjom i spoljašnjom regulacijom temperature. Bojleri sa unutrašnjom regulacijom podešeni su da zagrevaju vodu do 55-60 °C, što je optimalna temperatura sa aspekta uštede električne energije i stvaranja kamenca.

04. SAFETY VALVE

Metalac water heaters are supplied with safety valve, whose primary function is to prevent high pressure due to water heating. Our water heaters are designed for a working pressure of 0.6 MPa (6 bar), and tested at 1.2 MPa (12 bar).

05. UNIVERSAL BRACKET

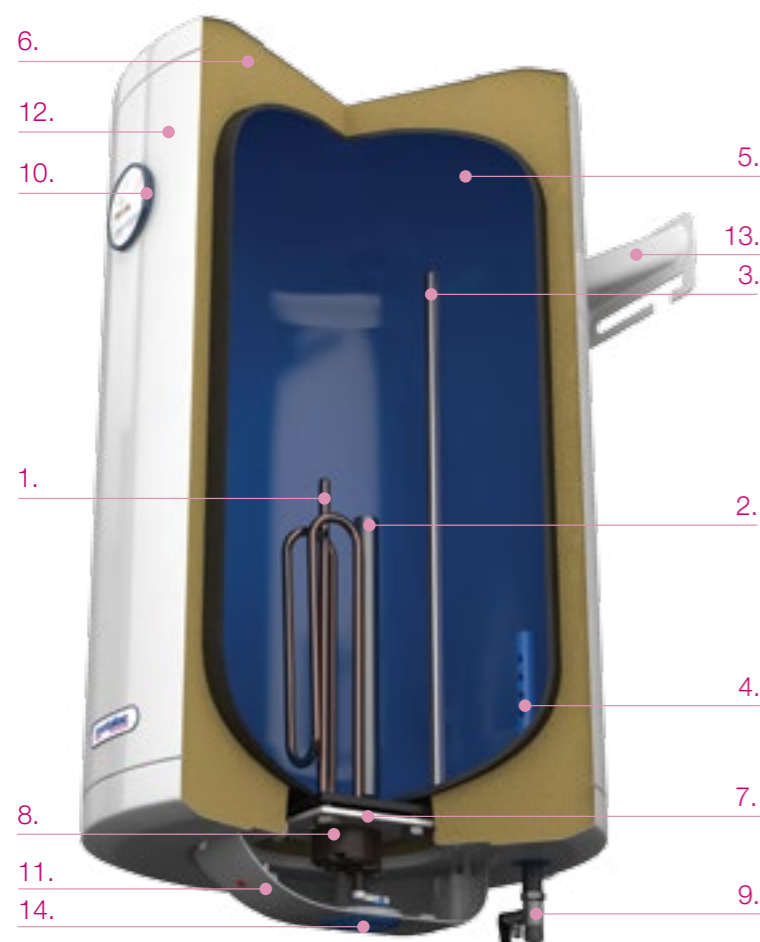
Thanks to the wide attaching span (130 to 360 mm), which corresponds to most of the water heaters in the market, universal bracket allows easy mounting in case of replacement of the water heater. In this way, you avoid drilling extra holes in bathroom.

06. THERMOREGULATION

Metalac storage water heaters are available in two versions – with internal and external temperature control. Water heaters with internal control are configured to heat the water up to 55-60 °C, which is an optimal temperature in terms of energy savings and scale formation.



KOMPONENTE / COMPONENTS



1. Električni grejač / Electric heater
2. Mg anoda / Mg anode
3. Inox izlivna cev / Stainless steel hot water - outlet pipe
4. Raspršivač vode / Cold water - inlet pipe
5. Kazan / Tank
6. Termoizolacija / Thermal insulation
7. Prirubnica / Flange
8. Termostat / Thermostat
9. Sigurnosni ventil / Safety valve
10. Termopokazivač / Thermometer
11. Zaštitna kapa / Protection cap
12. Omotač / Shell
13. Nosač bojlera / Bracket
14. Dugme termoregulatora / Thermoregulator

KAKO IZABRATI BOJLER / HOW TO CHOOSE A WATER HEATER



Količina tople vode (40 °C) u odnosu na kapacitet bojlera / Quantity of hot water (40 °C) in relation to volume

Kapacitet / Volume (lit)	30	50	80	100	120
Raspoloživost tople vode / Quantity of hot water (lit)	50	95	145	195	225

Za tuširanje se u proseku potroši 25-30 litara vode zagrejane na 40 °C / Showering on average consumes about 25-30 litres of hot water (at 40 °C)

MB SLIM / MB SLIM

Emajlirani i inox kazan / Enamelled and stainless steel tank

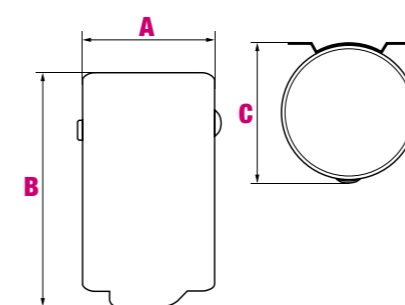
radna zapremina / volume (lit)	30	50	80
snaga el. grejača / power (kW)	2	2	2
napon / voltage (V)	230	230	230
pritisak / pressure (MPa)	0,6	0,6	0,6
instalacija / installation	↑	↑	↑
priključak za vodu / water connector (")	G1/2	G1/2	G1/2
vreme zagrevanja na 75 °C / warm-up time of water at 75°C (min)	65	115	185
količina mešane vode na 40 °C / amount of available mixed water at 40°C (lit)	cca 49	cca 95	cca 145
težina upakovanog proizvoda / weight of packed product (kg)	16,5/13,4	22,1/17,1	30/24,1
emajlirani/inox / enamelled / stainless steel tank			

MB SLIM bojleri, sa prečnikom od svega 35,4 cm, su prilagođeni potrebama racionalnog iskorišćavanja užih prostora.

MB SLIM water heaters, with a diameter of only 35,4 cm, are adapted for the rational use of narrow spaces.

KARAKTERISTIKE / FEATURES:

- Sigurnosni ventil
- Inox izlivna cev za toplu vodu
- Dostupni u varijantama sa unutrašnjom i spoljašnjom regulacijom temperature vode
- Mg anoda za zaštitu kazana od korozije
- Poliuretanska izolacija
- Safety valve
- Hot water (outlet) pipe made from stainless steel
- Available in versions with internal and external water temperature regulation
- Mg anode for protection against corrosion
- Polyurethane insulation



Dimenzije / Dimensions (mm)

	30	50	80
A	354	354	354
B	535	785	1135
C	390	390	390



MB STANDARD / MB STANDARD

Emajlirani kazan / Enamelled tank

radna zapremina / volume (lit)
snaga el. grejača / power (kW)
napon / voltage (V)
pritisak / pressure (MPa)
instalacija / installation
priključak za vodu / water connector (")
vreme zagrevanja na 75 °C / warm-up time of water at 75°C (min)
količina mešane vode na 40 °C / amount of available mixed water at 40°C (lit)
težina upakovanog proizvoda / weight of packed product (kg)

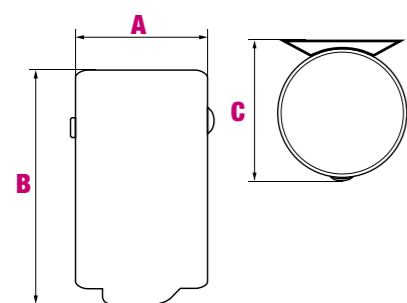
30	50	80
2	2	2
230	230	230
0,6	0,6	0,6
↑	↑	↑
G1/2	G1/2	G1/2
65	115	185
cca 49	cca 95	cca 145
18	22,9	30,2

Zahvaljujući nešto većoj visini, bojleri STANDARD posebno su pogodni za ugradnju u visokim prostorijama.

MB STANDARD water heaters are particularly suitable for installation in high ceiling rooms.

KARAKTERISTIKE / FEATURES:

- Univerzalni nosač
- Sigurnosni ventil
- Inox izlivna cev za toplu vodu
- Dostupni u varijantama sa unutrašnjom i spoljašnjom regulacijom temperature vode
- Mg anoda za zaštitu kazana od korozije
- Poliuretanska izolacija
- Universal bracket
- Safety valve
- Hot water (outlet) pipe made from stainless steel
- Available in versions with internal and external water temperature regulation
- Mg anode for protection against corrosion
- Polyurethane insulation



Dimenzije / Dimensions (mm)

	30	50	80
A	395	395	395
B	504	704	1004
C	415	415	415



metalac
BOJLER

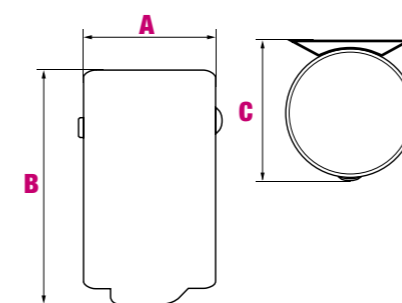
Inox kazan / Stainless steel tank

radna zapremina / volume (lit)
snaga el. grejača / power (kW)
napon / voltage (V)
pritisak / pressure (MPa)
instalacija / installation
priključak za vodu / water connector (")
vreme zagrevanja na 75 °C / warm-up time of water at 75°C (min)
količina mešane vode na 40 °C / amount of available mixed water at 40°C (lit)
težina upakovanog proizvoda / weight of packed product (kg)

30	50	80
2	2	2
230	230	230
0,6	0,6	0,6
↑	↑	↑
G1/2	G1/2	G1/2
65	115	185
cca 49	cca 95	cca 145
12,6	16,2	21,6

KARAKTERISTIKE / FEATURES:

- Regulacija temperature pomoću dva odvojena termostata (radni i sigurnosni)
- Brza i laka demontaža zaštitne kape
- Eliptični otvor na prirubnici obezbeđuje brzo i lako čišćenje kazana
- Univerzalni nosač
- Sigurnosni ventil
- Inox izlivna cev za toplu vodu
- Dostupni u varijantama sa unutrašnjom i spoljašnjom regulacijom temperature vode
- Mg anoda za zaštitu kazana od korozije
- Poliuretanska izolacija
- Temperature regulation with two separate thermostats (operating and safety)
- Easy and fast demounting of protection cap
- Elliptical flange provides quick and easy cleaning of tank
- Universal bracket
- Safety valve
- Hot water (outlet) pipe made from stainless steel
- Available in versions with internal and external water temperature regulation
- Mg anode for protection against corrosion
- Polyurethane insulation



Dimenzije / Dimensions (mm)

	30	50	80
A	395	395	395
B	504	704	1004
C	415	415	415



BOJLERI SREDNJIH LITRAŽA / STORAGE WATER HEATERS

MB PRAKTIK / MB PRACTIC

Emajlirani kazan / Enamelled tank

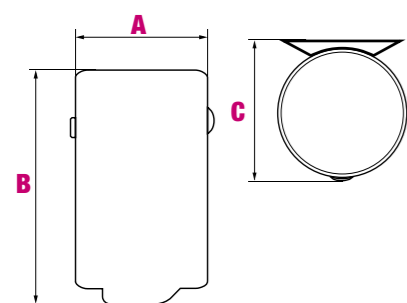
radna zapremina / volume (lit)	50	80	100	120
snaga el. grejača / power (kW)	2	2	2	2
napon / voltage (V)	230	230	230	230
pritisak / pressure (MPa)	0,6	0,6	0,6	0,6
instalacija / installation	↑	↑	↑	↑
priključak za vodu / water connector (")	G1/2	G1/2	G1/2	G1/2
vreme zagrevanja na 75 °C / warm-up time of water at 75°C (min)	110	175	230	275
količina mešane vode na 40 °C / amount of available mixed water at 40°C (lit)	cca 95	cca 145	cca 193	cca 225
težina upakovanog proizvoda / weight of packed product (kg)	23	29,4	33,3	38,3

U pogledu dimenzija **PRAKTIK** bojleri su pogodni za ugradnju i u visokim i u niskim prostorijama.

MB PRACTIC water heaters are suitable for installation in both high and low ceiling rooms.

KARAKTERISTIKE / FEATURES:

- Univerzalni nosač
- Sigurnosni ventil
- Inox izlivna cev za toplu vodu
- Dostupni u varijantama sa unutrašnjom i spoljašnjom regulacijom temperature vode
- Mg anoda za zaštitu kazana od korozije
- Poliuretanska izolacija
- Universal bracket
- Safety valve
- Hot water (outlet) pipe made from stainless steel
- Available in versions with internal and external water temperature regulation
- Mg anode for protection against corrosion
- Polyurethane insulation



Dimenzije / Dimensions (mm)

	50	80	100	120
A	454	454	454	454
B	591	811	951	1091
C	480	480	480	480



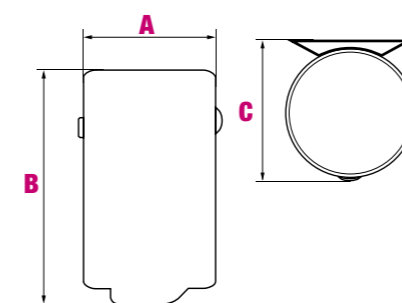
metalac
BOJLER

Inox kazan / Stainless steel tank

radna zapremina / volume (lit)	50	80	100	120
snaga el. grejača / power (kW)	2	2	2	2
napon / voltage (V)	230	230	230	230
pritisak / pressure (MPa)	0,6	0,6	0,6	0,6
instalacija / installation	↑	↑	↑	↑
priključak za vodu / water connector (")	G1/2	G1/2	G1/2	G1/2
vreme zagrevanja na 75 °C / warm-up time of water at 75°C (min)	110	175	230	275
količina mešane vode na 40 °C / amount of available mixed water at 40°C (lit)	cca 95	cca 145	cca 193	cca 225
težina upakovanog proizvoda / weight of packed product (kg)	19,3	23,7	26,5	30,2

KARAKTERISTIKE / FEATURES:

- Regulacija temperature pomoću dva odvojena termostata (radni i sigurnosni)
- Brza i laka demontaža zaštitne kape
- Eliptični otvor na prirubnici obezbeđuje brzo i lako čišćenje kazana
- Univerzalni nosač
- Sigurnosni ventil
- Inox izlivna cev za toplu vodu
- Dostupni u varijantama sa unutrašnjom i spoljašnjom regulacijom temperature vode
- Mg anoda za zaštitu kazana od korozije
- Poliuretanska izolacija
- Temperature regulation with two separate thermostats (operating and safety)
- Easy and fast demounting of protection cap
- Elliptical flange provides quick and easy cleaning of tank
- Universal bracket
- Safety valve
- Hot water (outlet) pipe made from stainless steel
- Available in versions with internal and external water temperature regulation
- Mg anode for protection against corrosion
- Polyurethane insulation



Dimenzije / Dimensions (mm)

	50	80	100	120
A	454	454	454	454
B	591	811	951	1091
C	480	480	480	480



BOJLERI SREDNJIH LITRAŽA / STORAGE WATER HEATERS

MB KOMBINOVANI / MB COMBY

Emajlirani kazan / Enamelled tank

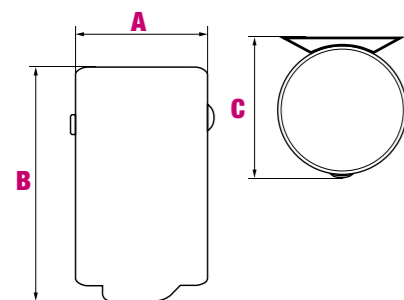
radna zapremina / volume (lit)	80	120
snaga el. grejača / power (kW)	2	2
napon / voltage (V)	230	230
pritisak / pressure (MPa)	0,6	0,6
instalacija / installation	↑	↑
priključak za vodu / water connector (")	G1/2	G1/2
priključak za grejni fluid / heating fluid joint (")	G3/4	G3/4
vreme zagrevanja na 75 °C el. grejačem / warm-up time of water at 75°C with el. heater (min)	175	275
površina izmenjivača / heat exchanger area (m ²)	0,25	0,25
količina mešane vode na 40 °C / amount of available mixed water at 40°C (lit)	cca 145	cca 225
težina upakovanog proizvoda / weight of packed product (kg)	35,8	45,1

MB Kombinovani bojleri imaju ugrađen cevni izmenjivač toplote, koji omogućava kombinovanje električnog i drugog izvora energije (konkretno sistema centralnog grejanja) za dobijanje tople vode. Naime, voda spoljašnjeg sistema prolazi kroz izmenjivač u obliku spirale, koji zagreva vodu u boileru. Kombinovani bojleri dostupni su u 2 varijante - za levu (oznaka PKL), odnosno desnu montažu (oznaka PKD).

MB Comby water heaters have a built-in tubular heat exchanger which allows the combination of electric and other energy sources (in particular of the central heating system) for hot water production. The water from external system passes through the heat exchanger in the form of a spiral, which heats the water in the tank. Comby water heaters are manufactured in two versions - for the left side (marked PKL) and the right side installation (marked PKD).

KARAKTERISTIKE / FEATURES:

- Ugrađen izmenjivač toplote od čeličnih / emajliranih cevi
- Univerzalni nosač
- Sigurnosni ventil
- Dostupni u varijantama sa unutrašnjom i spoljašnjom regulacijom temperature vode
- Mg anoda za zaštitu kazana od korozije
- Poliuretanska izolacija
- Built-in heat exchanger made of enamelled steel tubes
- Universal bracket
- Safety valve
- Available in versions with internal and external water temperature regulation
- Mg anode for protection against corrosion
- Polyurethane insulation



Dimenzije / Dimensions (mm)

	80	120
A	454	454
B	811	1091
C	480	480

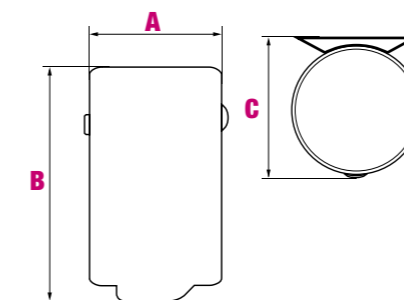


Inox kazan / Stainless steel tank

radna zapremina / volume (lit)	80	120
snaga el. grejača / power (kW)	2	2
napon / voltage (V)	230	230
pritisak / pressure (MPa)	0,6	0,6
instalacija / installation	↑	↑
priključak za vodu / water connector (")	G1/2	G1/2
priključak za grejni fluid / heating fluid joint (")	G1/2	G1/2
vreme zagrevanja na 75 °C el. grejačem / warm-up time of water at 75°C with el. heater (min)	175	275
površina izmenjivača / heat exchanger area (m ²)	0,3	0,3
količina mešane vode na 40 °C / amount of available mixed water at 40°C (lit)	cca 145	cca 225
težina upakovanog proizvoda / weight of packed product (kg)	26,6	34,4

KARAKTERISTIKE / FEATURES:

- Ugrađen izmenjivač toplote od inox cevi
- Regulacija temperature pomoću dva odvojena termostata (radni i sigurnosni)
- Brza i laka demontaža zaštitne kape
- Eliptični otvor na prirubnici obezbeđuje brzo i lako čišćenje kazana
- Univerzalni nosač
- Sigurnosni ventil
- Dostupni u varijantama sa unutrašnjom i spoljašnjom regulacijom temperature vode
- Mg anoda za zaštitu kazana od korozije
- Poliuretanska izolacija
- Built-in heat exchanger made of stainless steel tubes
- Temperature regulation with two separate thermostats (operating and safety)
- Easy and fast demounting of protection cap
- Elliptical flange provides quick and easy cleaning of tank
- Universal bracket
- Safety valve
- Available in versions with internal and external water temperature regulation
- Mg anode for protection against corrosion
- Polyurethane insulation



Dimenzije / Dimensions (mm)

	80	120
A	454	454
B	811	1091
C	480	480



MB HORIZONTALNI / MB HORIZONTAL

Emajlirani kazan / Enamelled tank

radna zapremina / volume (lit)	80
snaga el. grejača / power (kW)	2
napon / voltage (V)	230
pritisak / pressure (MPa)	0,6
instalacija / installation	↔
priključak za vodu / water connector (")	G1/2
vreme zagrevanja na 75 °C / warm-up time of water at 75°C (min)	200
količina mešane vode na 40 °C / amount of available mixed water at 40°C (lit)	cca 115
težina upakovanog proizvoda / weight of packed product (kg)	30,2

MB HORIZONTALNI bojleri namenjeni su za horizontalnu ugradnju na zid, a pogodni su za specifične uslove montaže - u niskim prostorijama, iznad tuš kabina, odnosno u svim uslovima u kojima postoji potreba za racionalnim iskorišćenjem prostora.

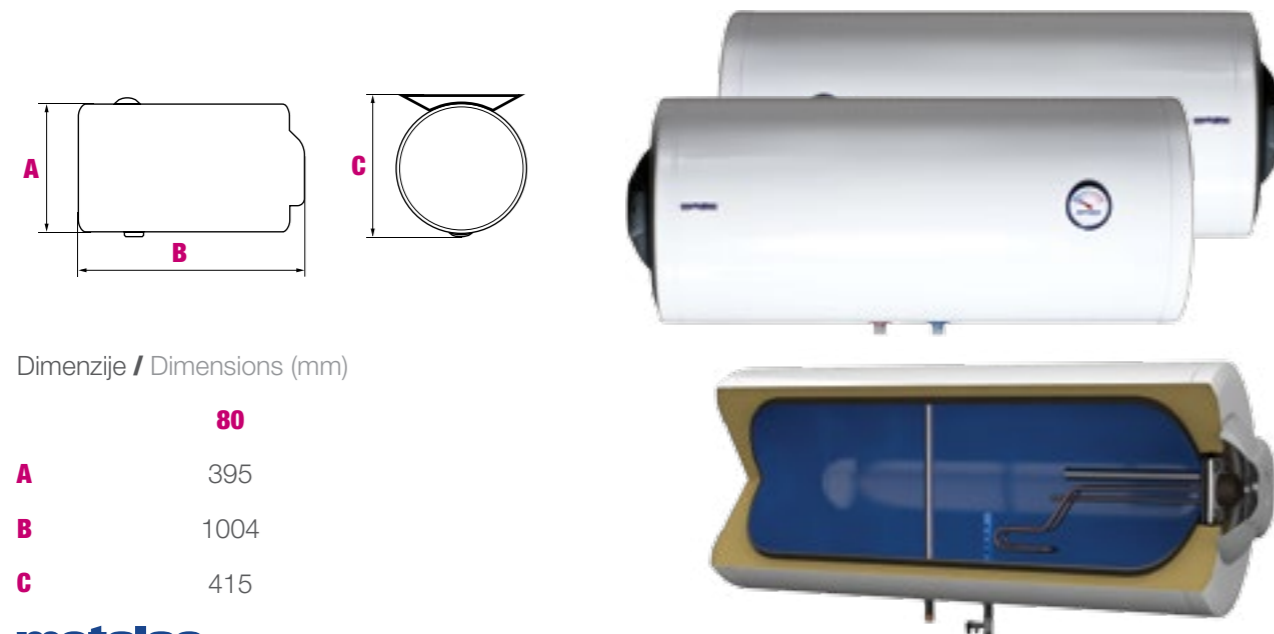
U zavisnosti od položaja električnog grejača i termostata, dostupni su u dve varijante - HL (grejač i termostat sa leve strane), odnosno HD (grejač i termostat sa desne strane).

MB HORIZONTAL water heaters are designed for horizontal wall mounting, and are suitable for particular conditions of installation - in the low areas, above the shower, or in any condition in which there is a need for rational use of space.

Depending on the position of the electric heater and thermostats, they are available in two versions - HL (heater and thermostat on the left) or HD (heater and thermostat on the right).

KARAKTERISTIKE / FEATURES:

- Sigurnosni ventil
- Inox izlivna cev za toplu vodu
- Unutrašnja regulacija temperature vode
- Mg anoda za zaštitu kazana od korozije
- Poliuretanska izolacija
- Safety valve
- Hot water (outlet) pipe made from stainless steel
- Internal temperature regulation
- Mg anode for protection against corrosion
- Polyurethane insulation



Dimenzije / Dimensions (mm)

	80
A	395
B	1004
C	415

metalac
BOJLER

KlassA

Bojleri sa suvim i bakarnim grejačem
Dry and copper heater



Regulacija temperature pomoću dva odvojena termostata (radni i sigurnosni)
Temperature regulation with two separate thermostats (operating and safety)



Jednostavna demontaža zaštitne kape (montiranje kape bez vijaka)
Fast and easy demounting of protection cap



Brzo i lako povezivanje na električnu mrežu
Fast and easy connection to the power grid



Prečnik otvora na prirubnici Ø 100 mm obezbeđuje brzo i lako čišćenje kazana
With Ø 100 mm flange it is easy to clean the tank



Manje izdvajanje kamenca u toku eksploatacije; u slučaju kvara jednog, bojler može raditi sa drugim grejačem
Lower allocation of limescale; with two dry heaters installed, the water heater continues to operate even if one dry heater breaks down



Brza i laka zamena suvog grejača bez pražnjenja bojlera
Fast and easy replacement of dry heater without draining the water heater



Inox izlivna cev za toplu vodu
How water (outlet) pipe made from stainless steel



Univerzalni nosač za jednostavnu montažu bojlera
Universal bracket allows easy mounting of the water heater



Emajlirani kazan / Enamelled tank

radna zapremina / volume (lit)
 snaga el. grejača / power (kW)
 napon / voltage (V)
 pritisak / pressure (MPa)
 instalacija / installation
 priključak za vodu / water connector (")
 vreme zagrevanja na 75 °C / warm-up time of water at 75°C (min)
 količina mešane vode na 40 °C / amount of available mixed water at 40°C (lit)
 težina upakovanog proizvoda / weight of packed product (kg)

50	80
1 x 2	1 x 2
230	230
0,6	0,6
↑	↑
G1/2	G1/2
110	175
cca 95	cca 145
22,6	28,9

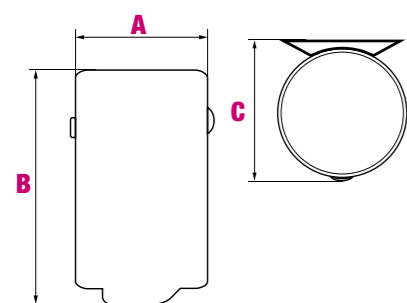
Emajlirani kazan / Enamelled tank

radna zapremina / volume (lit)
 snaga el. grejača / power (kW)
 napon / voltage (V)
 pritisak / pressure (MPa)
 instalacija / installation
 priključak za vodu / water connector (")
 vreme zagrevanja na 75 °C / warm-up time of water at 75°C (min)
 količina mešane vode na 40 °C / amount of available mixed water at 40°C (lit)
 težina upakovanog proizvoda / weight of packed product (kg)

50	80
1 x 2	1 x 2
230	230
0,6	0,6
↑	↑
G1/2	G1/2
110	175
cca 95	cca 145
23,2	29,6

KARAKTERISTIKE / FEATURES:

- Električni uronjivi bakarni grejač
- Regulacija temperature pomoću dva odvojena termostata (radni i sigurnosni)
- Prečnik otvora na priрубnici $\varnothing 100$ mm obezbeđuje brzo i lako čišćenje kazana bojlera
- Brza i laka demontaža zaštitne kape
- Brzo i lako povezivanje na električnu mrežu
- Univerzalni nosač
- Inox izlivna cev za toplu vodu
- Sigurnosni ventil
- Spoljašnja regulacija temperature vode
- Mg anoda za zaštitu kazana od korozije
- Poliuretanska izolacija
- Electric copper heater
- Temperature regulation with two separate thermostats (operating and safety)
- With $\varnothing 100$ mm flange it is easy to clean the tank
- Fast and easy demounting of protection cap
- Fast and easy connection to the power grid
- Universal bracket
- Hot water (outlet) pipe made from stainless steel
- Safety valve
- External water temperature regulation
- Mg anode for protection against corrosion
- Polyurethane insulation



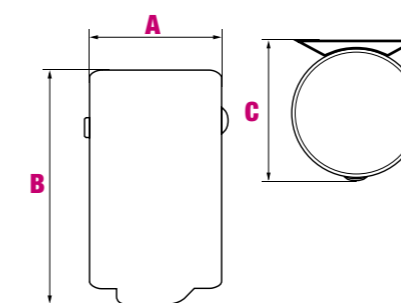
Dimenzije / Dimensions (mm)

	50	80
A	454	454
B	640	860
C	480	480



KARAKTERISTIKE / FEATURES:

- Regulacija temperature pomoću dva odvojena termostata (radni i sigurnosni)
- Prečnik otvora na priрубnici $\varnothing 100$ mm obezbeđuje brzo i lako čišćenje kazana bojlera
- Brza i laka demontaža zaštitne kape
- Brzo i lako povezivanje na električnu mrežu
- Dva suva grejača od po 1 kW
- Brza i laka zamena suvog grejača bez pražnjenja bojlera
- Manje izdvajanje kamenca u toku eksploatacije
- Univerzalni nosač
- Inox izlivna cev za toplu vodu
- Sigurnosni ventil
- Spoljašnja regulacija temperature vode
- Mg anoda za zaštitu kazana od korozije
- Poliuretanska izolacija
- Temperature regulation with two separate thermostats (operating and safety)
- With $\varnothing 100$ mm flange it is easy to clean the tank
- Fast and easy demounting of protection cap
- Fast and easy connection to the power grid
- Two 1 kW dry heaters
- Fast and easy replacement of dry heater without draining the water heater
- Lower allocation of limescale
- Universal bracket
- Hot water (outlet) pipe made from stainless steel
- Safety valve
- External water temperature regulation
- Mg anode for protection against corrosion
- Polyurethane insulation



Dimenzije / Dimensions (mm)

	50	80
A	454	454
B	640	860
C	480	480



BOJLERI VELIKIH LITRAŽA

LARGE CAPACITY WATER HEATERS

KARAKTERISTIKE / FEATURES

01. RAZLIČITI IZVORI ZAGREVANJA VODE

Zahvaljujući ugrađenim cevnim izmenjivačima toplote od prohromskih cevi, bojleri velikih litraža Metalac mogu se koristiti u kombinaciji sa solarnim panelom i/ili sistemom centralnog grejanja. Bojler se može isporučiti sa jednim, dva ili bez izmenjivača toplote.

02. DVA ELEKTRIČNA GREJAČA

U slučaju potrebe bojleri velikih litraža Metalac dostupni su sa jednim ili dva električna grejača. Donji grejač od 4,5 kW ili 6 kW je glavni, dok se gornji grejač od 2 kW koristi za potrebe dogrevanja vode.

03. INOX KAZAN

Bojleri velikih litraža izrađuju se od nerđajućeg čelika (inox), koji pruža maksimalnu zaštitu od korozije.

04. POLIURETANSKA IZOLACIJA

Bojleri velikih litraža Metalac imaju izolaciju od meke poliuretanske pene, debljine 50 mm. Termoizolaciona svojstva poliuretanske pene obezbeđuju odloženo korišćenje zagrejane vode u dužem vremenskom periodu. Pored komfora u korišćenju tople vode, bojleri sa ovakvom vrstom izolacije krajnjem korisniku obezbeđuju koristi u pogledu uštede električne energije.

01. DIFFERENT SOURCES OF WATER HEATING

Thanks to its built in heat exchangers made from stainless steel pipes, large capacity water heater can be used in combination with solar panels and/or central heating system. The water heater can be supplied with one, two or without heat exchangers.

02. TWO ELECTRIC HEATERS

Large capacity water heaters Metalac are available with one or two electric heaters. The lower heater (4,5 kW or 6 kW) is the main one, while the upper (2 kW) heater is used with other heating sources.

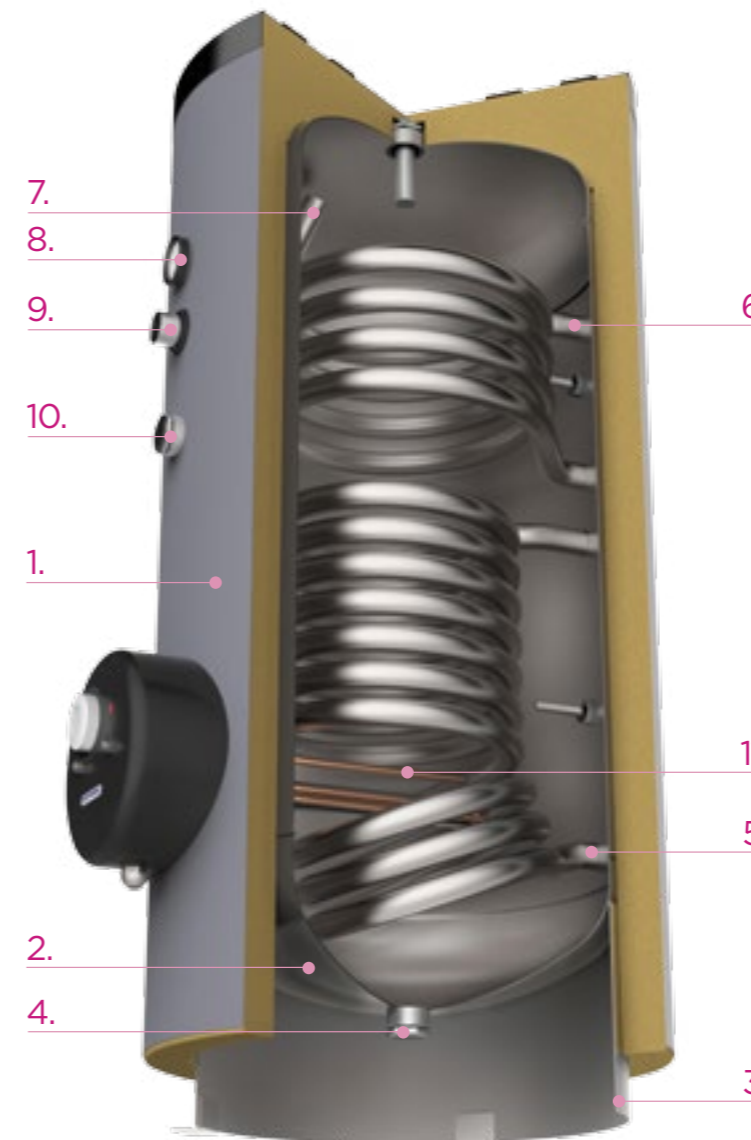
03. STAINLESS STEEL TANK

Stainless steel tank provides maximum protection against corrosion.

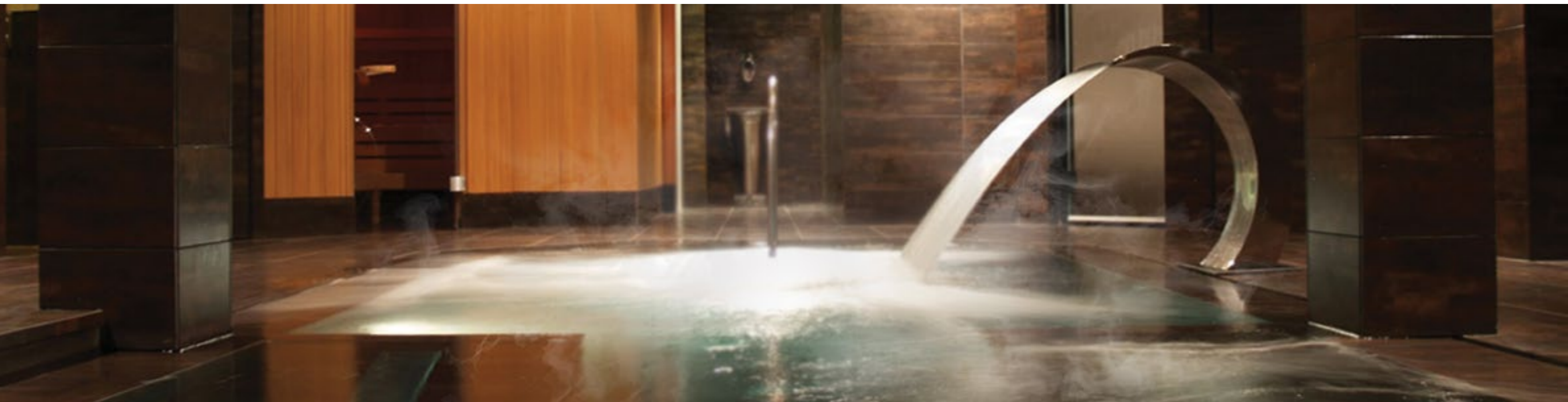
04. POLYURETHANE INSULATION

Large capacity water heaters Metalac have insulation of high quality, environmentally friendly polyurethane foam, 50 mm thick. Insulating properties of polyurethane foam provide delayed use of heated water for a longer period of time, as well as benefits in terms of energy savings.

KOMPONENTE / COMPONENTS



1. Omotač kazana / Outer shell
2. Inox kazan / Stainless steel tank
3. Podnožje kazana / Tank stand
4. Priključak anode / Mg anode connector
5. Donji izmenjivač / Lower heat exchanger
6. Gornji izmenjivač / Upper heat exchanger
7. Cev za hladnu i toplu vodu / Cold and hot water pipe
8. Termopokazivač / Thermometer
9. Navojni priključak G 1" / Threaded connection G 1"
10. Navojni priključak G 5/4" / Threaded connection G 5/4"
11. Bakarni grejač / Copper heater

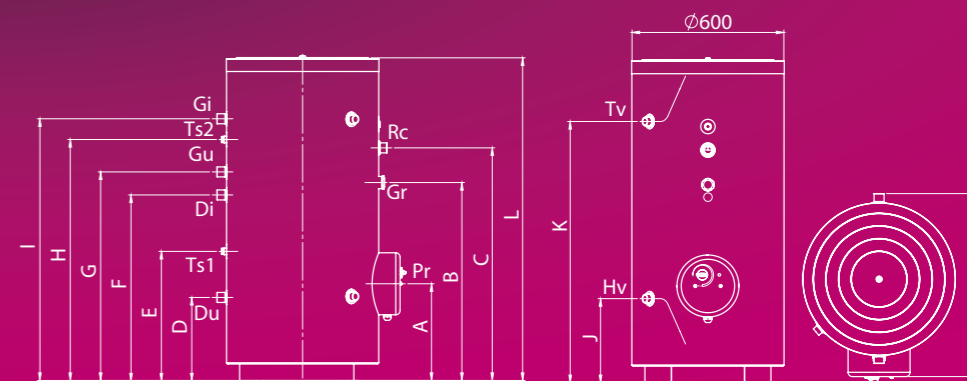


VELIKE LITRAŽE / LARGE CAPACITY WH

Inox kazan / Stainless steel tank

zapremina / volume (lit)	200	300
pritisak / pressure (MPa)	0,6	0,6
snaga el. grejača / power (kw)	4,5 / 6,0	4,5 / 6,0
vreme zagrevanja vode na 75°C / 6 kW / warm-up time of water at 75°C / 6 kW (min)	120	180
radni napon / voltage (V)	230	230
priključak grejača za dogrevanje vode / upper heater joint (")	5/4	5/4
priključak grejača za zagrevanje / lower heater joint (")	6/4	6/4
priključci za vodu / water connectors (")	G1	G1
priključci za recirkulaciju / recirculation connectors (")	G1	G1
priključak izmenjivača / heat exchanger joint (")	G1	G1
površina gornjeg izmenjivača / upper heat exchanger area (m ²)	0,55	0,55
površina donjeg izmenjivača / lower heat exchanger area (m ²)	1,1	1,1
debljina izolacije / insulation thickness (mm)	50	50

Model	200 lit.	300 lit.
A (mm)	362	362
B (mm)	762	1162
C (mm)	899	1301
D (mm)	310	310
E (mm)	492	492
F (mm)	715	715
G (mm)	804	1204
H (mm)	932	1332
I (mm)	1014	1441
J (mm)	312	312
K (mm)	1012	1522
L (mm)	1260	1770



Bojleri velikih litraža Metalac dostupni su u zapreminama od 200 i 300 litara. U zavisnosti od potreba mogu se isporučiti sa jednim, dva ili bez izmenjivača toplote, odnosno u varijantama sa ili bez električnih grejača.

Large capacity water heaters Metalac are available in volumes of 200 or 300 liters. They can be supplied with one, two or without heat exchangers, as well as with or without electric heaters.

KARAKTERISTIKE / FEATURES:

- Grejači od 2, 4,5 i 6 kW
- Izmenjivači toplote od prohromskih cevi
- Poliuretanska izolacija
- Spoljašnja regulacija temperature vode
- Electric heaters - 2, 4,5 or 6 kW
- Built-in heat exchangers made of stainless steel tubes
- Polyurethane insulation
- External water temperature regulation



Naziv / Position

Veličina / Size

Vrsta navoja / Type of thread

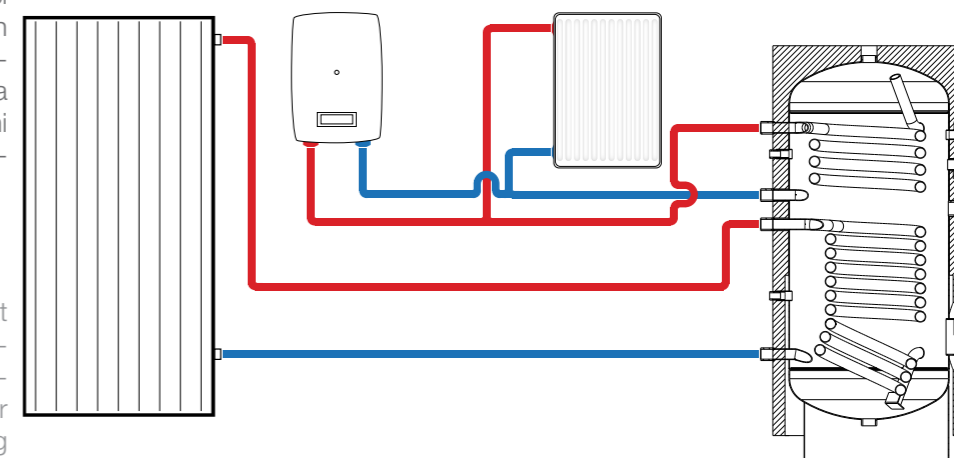
Namena / Purpose

Gr	G5/4"	Unutrašnji / Inner	Dodatni grejač / Additional heater
Rc	G1"	Unutrašnji / Inner	Recirkulacija / Recirculation
Du	G1"	Unutrašnji / Inner	Donji izmenjivač - ulaz / Lower heat exchanger - inlet
Ts1	ø10	/	Donja termosonda / Lower thermal probe
Di	G1"	Unutrašnji / Inner	Donji izmenjivač - izlaz / Lower heat exchanger - outlet
Ts2	ø10	/	Gornja termosonda / Upper thermal probe
Gu	G1"	Unutrašnji / Inner	Gornji izmenjivač - ulaz / Upper heat exchanger - inlet
Gi	G1"	Unutrašnji / Inner	Gornji izmenjivač - izlaz / Upper heat exchanger - outlet
Hv	G1"	Spoljni / Outer	Hladna sanitarna voda / Cold water
Tv	G1"	Spoljni / Outer	Topla sanitarna voda / Hot water

RAZLIČITI IZVORI ZAGREVANJA VODE / DIFFERENT SOURCES OF WATER HEATING

Ugrađeni cevni izmenjivači toplote od prohromskih cevi omogućuju kombinovanje različitih izvora zagrevanja vode (solarni kolektor, sistem centralnog grejanja).

Built in stainless steel heat exchangers allow combining of different sources of water heating (solar collector, central heating system).



MALOLITRAŽNI BOJLERI / SMALL CAPACITY WATER HEATERS

KARAKTERISTIKE / FEATURES

Malolitražni bojleri pogodni su za brzo zagrevanje vode. Pretežno se ugrađuju u kuhinjama, odnosno na svim mestima gde je neophodna manja količina tople vode.

Small capacity water heaters are suitable for heating water quickly. They are mostly installed in kitchens, or any place where a small amount of hot water is needed.

01. KAZAN

MB MINI bojleri izrađuju se sa polipropilenskim, emaljiranim ili inox kazanom. Osobine korišćenih materijala su takve da obezbeđuju fiziološku ispravnost vode, koja se može koristiti za pripremanje hrane.

02. IZOLACIJA

Kazan je izolovan kvalitetnom polistirenskom toplotnom izolacijom, koja obezbeđuje minimalne toplotne gubitke i uštedu u potrošnji električne energije.

03. UGRADNJA

MB MINI bojleri su dostupni u dve varijante - nadgradna (montaža iznad kuhinjskog pulta) i podgradna (montaža ispod kuhinjskog pulta).

04. BESPRITISAN SISTEM

MB MINI bojleri su konstruisani kao otvoreni sistem i predviđeni su za rad u kombinaciji sa niskopritisnom slavnom za mešanje vode. Podgradna varijanta obavezno se ugrađuje u kombinaciji sa slavnom sa tri cevi.

01. TANK

MB MINI water heaters are made with polypropylene, enamel or stainless steel tank. The quality of the used materials guarantees that the water from the tank is physiologically correct and that it can be used for food preparation.

02. INSULATION

The tank is insulated with high quality polystyrene thermal insulation, which ensures minimal heat loss and energy savings.

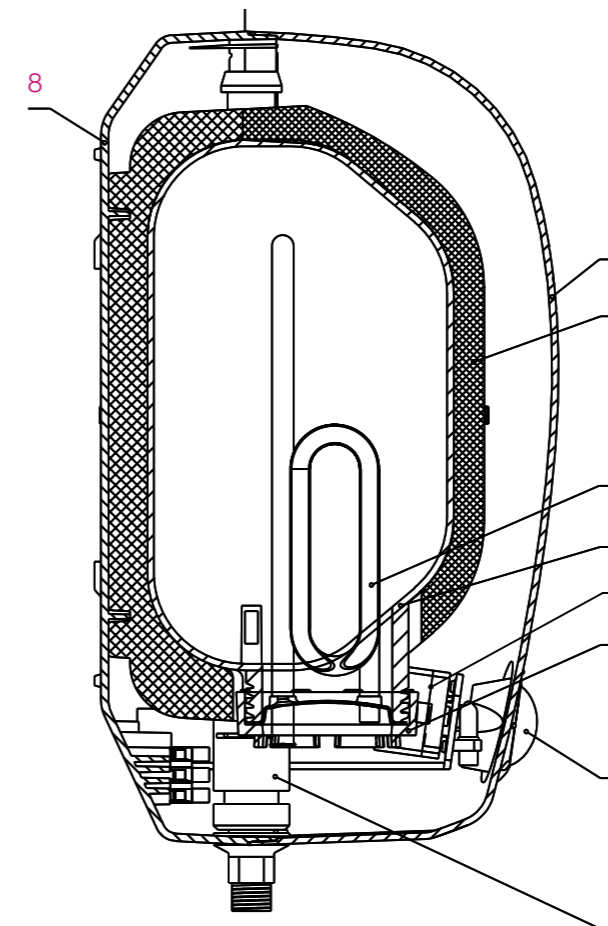
03. INSTALLATION

MB MINI water heaters are available in two versions - for mounting above or under the kitchen counter.

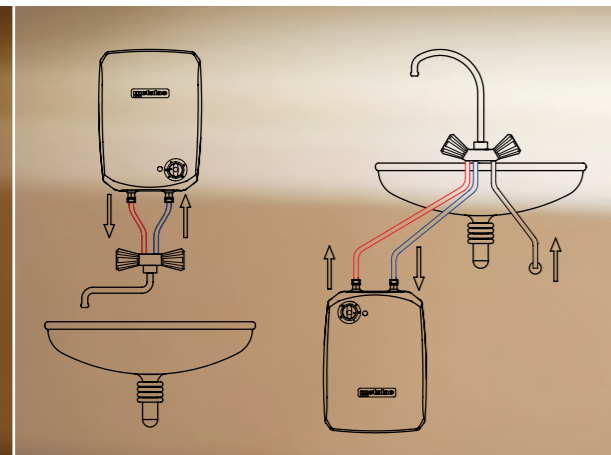
04. FLOW-THROUGH (OPEN) SYSTEM

MB MINI water heaters are constructed as flowthrough (open) system and are designed to work in conjunction with a low-pressure water mixing faucet. Under-the-counter version must be installed on faucet with three pipes.

KOMPONENTE / COMPONENTS



1. Kazan / Tank
2. Navrtka / Screw nut
3. Grejač sa zaptivkom / Heater with seal
4. Priključak za vodu / Water connectors
5. Izolacija / Insulation
6. Termostat / Thermostat
7. Dugme termoregulatora / Temperature regulator
8. Zadnji poklopac / Back cover
9. Prednji poklopac / Front cover



MB MINI / MB MINI

Polipropilenski kazan / Polypropylene tank

radna zapremina / volume (lit)
snaga el. grejača / power (kW)
napon / voltage (V)
pritisak / pressure (MPa)
instalacija / installation
priključak za vodu / water connector (")
vreme zagrevanja na 75 °C / warm-up time of water at 75°C (min)
količina mešane vode na 40 °C / amount of available mixed water at 40°C (lit)
težina upakovanog proizvoda / weight of packed product (kg)

5	10
2	2
230	230
0	0
↑	↑
G3/8	G3/8
11	22
cca 9	cca 17
3,5	4,7

MB Mini bojleri sa polipropilenskim kazanom dostupni su u zapreminama od 5 i 10 litara. Mogu se montirati iznad kuhinjskog pulta (nadgradna varijanta) ili ispod (podgradna varijanta).

Polipropilenski kazan bojlera obezbeđuje fiziološku ispravnost vode, koja se može koristiti za pripremanje hrane. MB Mini bojleri su konstruisani kao otvoreni sistem i predviđeni su za rad u kombinaciji sa niskopritisnom slavnom za mešanje vode. Podgradna varijanta obavezno se ugrađuje u kombinaciji sa slavnom sa tri cevi.

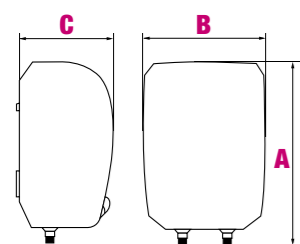
MB Mini water heaters with polypropylene tank are available with volumes of 5 and 10 litres. They can be mounted above or below the kitchen counter.

Polypropylene tank provides physiological correctness of water, which can be used for food preparation. The tank is insulated with quality polystyrene thermal insulation. MB Mini water heaters are constructed as flowthrough (open) system and are designed to work in conjunction with a low-pressure water mixing faucet. Under-the-counter version must be installed on faucet with three pipes.

KARAKTERISTIKE / FEATURES:

- Polistirenska izolacija
- Nadgradna i podgradna varijanta
- Spoljašnja regulacija temperature vode

- Polystyrene insulation
- Can be mounted above or below the kitchen counter
- External water temperature regulation



Dimenzije / Dimensions (mm)

	5	10
A	406	480
B	274	326
C	214	230



metalac
BOJLER

Emajlirani i inox kazan / Enamelled and stainless steel tank

radna zapremina / volume (lit)
snaga el. grejača / power (kW)
napon / voltage (V)
pritisak / pressure (MPa)
instalacija / installation
priključak za vodu / water connector (")
vreme zagrevanja na 75 °C / warm-up time of water at 75°C (min)
količina mešane vode na 40 °C / amount of available mixed water at 40°C (lit)
težina upakovanog proizvoda / weight of packed product (kg)

8
1,5
230
0
↑
G3/8
23
cca 14
5,7/4,9

MB Mini bojleri sa emajliranim i inox kazanom imaju zapreminu od 8 litara. Mogu se montirati iznad kuhinjskog pulta (nadgradna varijanta) ili ispod (podgradna varijanta).

Voda iz kazana je fiziološki ispravna i može se koristiti za pripremanje hrane. MB Mini bojleri su konstruisani kao otvoreni sistem i predviđeni su za rad u kombinaciji sa niskopritisnom slavnom za mešanje vode. Podgradna varijanta obavezno se ugrađuje u kombinaciji sa slavnom sa tri cevi.

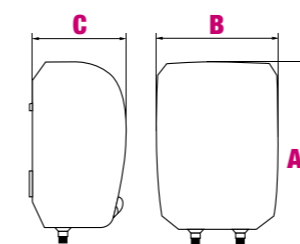
MB Mini water heaters with enamelled or stainless steel tank have a volume of 8 litres. They can be mounted above or below the kitchen counter.

Enamelled or stainless steel tank provide physiological correctness of water, which can be used for food preparation. The tank is insulated with quality polystyrene thermal insulation. MB Mini water heaters are constructed as flow-through (open) system and are designed to work in conjunction with a low-pressure water mixing faucet. Under-the-counter version must be installed on faucet with three pipes.

KARAKTERISTIKE / FEATURES:

- Polistirenska izolacija
- Nadgradna i podgradna varijanta
- Spoljašnja regulacija temperature vode

- Polystyrene insulation
- Can be mounted above or below the kitchen counter
- External water temperature regulation



Dimenzije / Dimensions (mm)

	8
A	396
B	274
C	266



MALOLITRAŽNI BOJLERI / SMALL CAPACITY WATER HEATERS

HIDROFORSKE POSUDE / HYDROPHORE TANKS

KARAKTERISTIKE / FEATURES

Hidroforska posuda je uređaj pod pritiskom koji se upotrebljava za snabdevanje pijaćom ili tehničkom vodom u situacijama kada je pritisak u cevovodu nizak. Primjenjuju se u hidroforskim postrojenjima u širokoj upotrebi (u stambenim zgradama, individualnim domaćinstvima, industrijskim postrojenjima, ugostiteljskim objektima i sl).

Hydrophore tank is a pressurized vessel that is used for drinking or technical water supply in situations when the pressure in the pipeline is low. They are used in hydrophore systems in wide use (in residential buildings, individual households, industrial plants, restaurants etc).

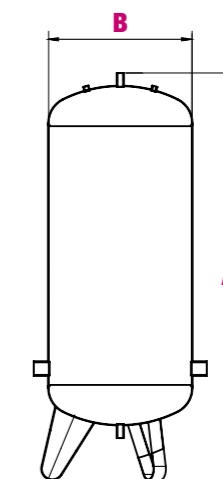
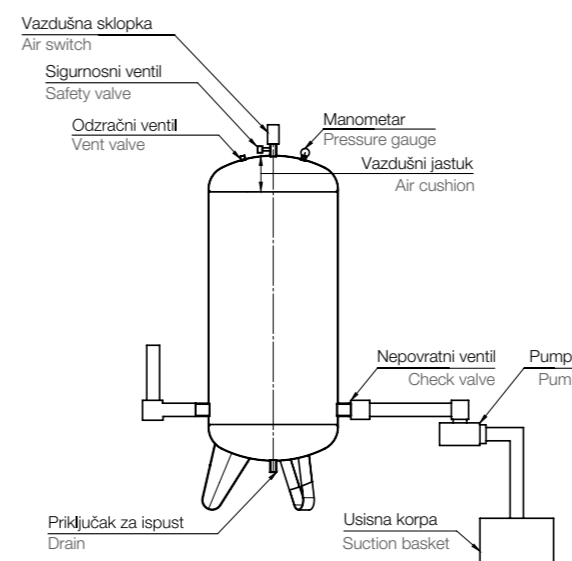


Tehničke karakteristike / Technical features

zapremina / volume (lit):	90	120	150
materijal / material:	inox	inox	inox
priključak za manometar / pressure gauge joint ("):	1/4	1/4	1/4
priključak za sklopku / switch joint ("):	1/2	1/2	1/2
priključci za ispušt / connections for draining ("):	1/2	1/2	1/2
ulaz - izlaz vode / water inlet - outlet ("):	5/4	5/4	5/4
maksimalni pritisak / maximum pressure (mpa):	0,6	0,6	0,6
odzračni ventil / vent valve:	M8x1	M8x1	M8x1
bruto težina / gross weight (kg):	13	15,6	18,3

Hidroforske posude se izrađuju prema standardu SRPS EN 13445. Materijal posude je X5CrNi18-10 (1.4301), koji je fiziološki neutralan i obezbeđuje očuvanje kvaliteta vode sa izvora napajanja, pa se preporučuje za upotrebu kod akumulacije vode za pripremanje hrane i pića.

Metalac hydrophore tanks are manufactured in accordance with SRPS EN 13445 standard. The material used is X5CrNi18-10 (1.4301), which is physiologically neutral and ensures the preservation of water quality, and so it is safe to use for drinking water supply.



Dimenzije / Dimensions (mm)

	90	120	150
A	960	1170	1390
B	415	415	415



ZDRAVSTVENA ISPRAVNOST NA PRVOM MESTU

U sastavu tela slavina AQUABI bakar učestvuje sa oko 60% čime se obezbeđuje visok kvalitet legure. Zakonom dozvoljen sadržaj olova u leguri je 3%, a kod slavina AQUABI sadržaj olova ne prelazi 2%.

Zdravstvenu ispravnost slavina AQUABI garantuju rezultati fizičko hemijskih ispitivanja sprovedeni u akreditovanim laboratorijama u Srbiji. Utvrđene vrednosti migracija teških metala daleko su ispod

referentnih i zakonom propisanih vrednosti, tako da su slavine AQUABI potpuno u skladu sa zahtevima Pravilnika o uslovima u pogledu zdravstvene ispravnosti predmeta opšte upotrebe koji se mogu stavljati u promet.

U slavine AQUABI ugrađuju se SEDAL keramički mešači, koji obezbeđuju precizno mešanje vode i dugovečnost proizvoda.

HEALTH SAFETY COMES FIRST

In Aquabi faucets copper accounts for about 60% of composition, which ensures high quality alloy. While the regulations allow lead content in the alloy up to 3%, lead content in Aquabi faucets does not exceed 2%. Health safety of the Aquabi faucets are guaranteed by the results of physical and chemical tests

conducted in accredited laboratories in Serbia. The recorded values of migration of heavy metals are far below the values defined by regulations.

Aquabi faucets have SEDAL ceramic mixers, which provide precise water mixing and product longevity.

ODRŽAVANJE PROIZVODA

Da bi površina slavine bila sjajna, molimo da je redovno čistite. Tokom upotrebe na površini slavine pojavljuju se mrlje, koje nastaju od vodenog kamenca.

Čišćenje slavine vrši se vodom i mekanom krpom, a po potrebi mogu se koristiti rastvor vode i sirćeta (2:1) ili blaga sredstva za čišćenje. Posle čišćenja potrebno je isprati sredstvo za čišćenje čistom vodom i osušiti slavinu mekanom krpom.



USE AND CARE INSTRUCTIONS

In order to keep the surface of the faucet shiny, please clean it regularly. During the use, stains from the limescale can appear on the surface of the faucet.

Cleaning is done with water and a soft cloth, and if necessary a solution of water and vinegar (2: 1) or a mild detergent can be used. After cleaning, it is necessary to rinse the faucet with clean water and dry it with a soft cloth.



Nemojte koristiti abrazivna sredstva ili kiseline koje mogu oštetiti hromiranu površinu slavine.



Do not use abrasives or acids that can damage the chrome plated surface of the faucet.

Ukoliko se na perlatoru zadrži kamenac, potrebno je odvrnuti ga, dobro isprati pod jakim mlazom vode i ostaviti ga nekoliko sati u rastvoru vode i sirćeta, kako bi se odstranio kamenac. Nakon određenog vremena perlator po potrebi možete zameniti novim.

Vodeni kamenac na ručici tuša takođe ćete najjednostavnije odstraniti ukoliko je ostavite u rastvoru vode i sirćeta i nakon nekoliko časova isperete tekućom vodom.

If the aerator is covered by the limescale, it is necessary to unscrew it, rinse it under a jet of water and leave it for several hours in a solution of water and vinegar to remove limescale. After a while the aerator can be replaced with a new one.

Limescale on the shower arm will also be easily removed if you leave it in a solution of water and vinegar, and after a few hours rinse it under the running water.



PLATZ



SIMPLE



SLAVINE ZA KUPATILO / BATHROOM FAUCETS



Slavina za lavabo SLAP /
Washbasin faucet SLAP



Slavina za lavabo /
Washbasin faucet



Slavina za bide /
Bidet faucet



Slavina za kadu /
Bathtub faucet



Slavina za tuš kadu /
Shower faucet



SLAVINA ZA KUHINJU / KITCHEN FAUCET

Slavina za sudoperu stojeća (dugačka lula) /
Kitchen faucet with long pipe

SLAVINE ZA KUHINJU / KITCHEN FAUCETS



Slavina za sudoperu stojeća LABUD /
Kitchen faucet SWAN

SLAVINE ZA KUPATILO / BATHROOM FAUCETS



Slavina za kadu /
Bathtub faucet



Slavina za lavabo /
Washbasin faucets

ECO



SLAVINE ZA KUHINJU / KITCHEN FAUCETS



Slavina za sudoperu stojeća (labud) /
Kitchen faucet (swan)



Slavina za sudoperu stojeća (dugačka lula) /
Kitchen faucet (long pipe)



Slavina za sudoperu stojeća /
Kitchen faucet



Slavina za sudoperu zidna /
Kitchen faucet - wall mounted

slavine sa dva priključka namenjene su za bojlere visokog pritiska / Faucets with two connectors are installed with high pressure water heaters



Slavina za sudoperu stojeća (tri cevi) /
Kitchen faucet (three pipes)



Slavina za sudoperu zidna (tri cevi) /
Kitchen faucet - wall mounted (three pipes)

slavine sa tri cevi koriste se uz bespritisne malolitražne bojlere niske i visoke montaže (uz sve Metalac malolitražne bojlere) / Faucets with three connectors are used with small capacity water heaters for mounting both above or under the kitchen counter (with all Metalac small capacity water heaters)

SLAVINE ZA KUPATILO / BATHROOM FAUCETS



Slavina za kadu / Bathtub faucet



Slavina za tuš kadu / Shower faucet



Slavina za lavabo / Washbasin faucet



Slavina za bide / Bidet faucet

metalac
INKO

METALAC INKO

Kneza Aleksandra 212
32300 Gornji Milanovac
SRBIJA / SERBIA

T. +381 (0)32 770 341, 770 407
F. +381 (0)32 725 211
e. inko@metalac.com, sudopere@metalac.com
w. www.metalacinko.com

metalac
BOJLER

METALAC BOJLER

Ljubićska 1
32300 Gornji Milanovac
SRBIJA / SERBIA

T. +381 (0)32 717 432
F. +381 (0)32 770 498
e. bojler@metalac.com
w. www.metalacbojler.com

Izdavač / Publisher: Metalac inko d.o.o. & Metalac bojler d.o.o.

Za izdavača / For Publisher: Vladan Stojković, Zoran Ognjanović

Redakcioni odbor / Editorial Board: Darko Ponjavić, Dejan Vesković, Nikola Drašović

Dizajn i priprema / Design and Prepress: Design studio Metalac, Mihailo Joksimović

Fotografije / Photos: Arhiva Metalac / Metalac archives

Štampa / Print: Stojkov štamparija d.o.o. Novi Sad

Tiraž / Circulation: 1000 primeraka / copies

IZDANJE IV / EDITION IV

Gornji Milanovac, mar. 2016.

